

1

2

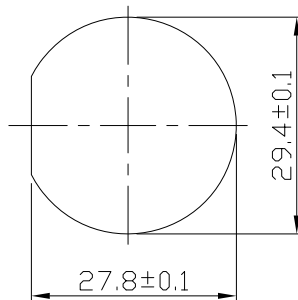
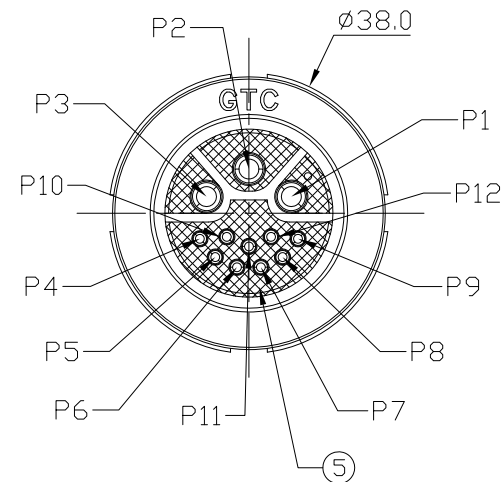
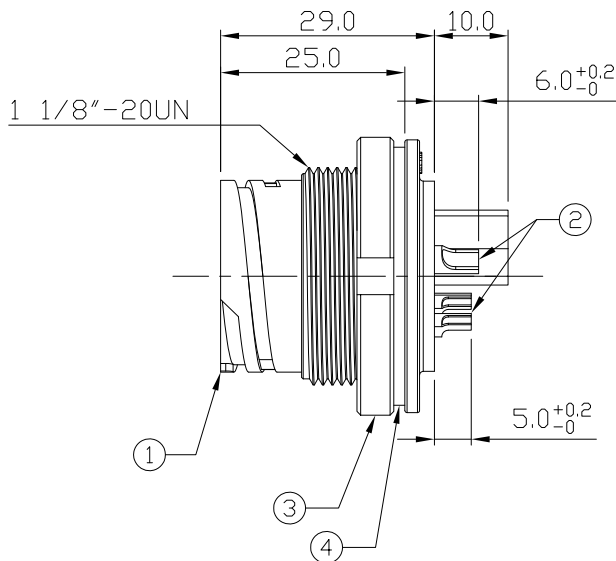
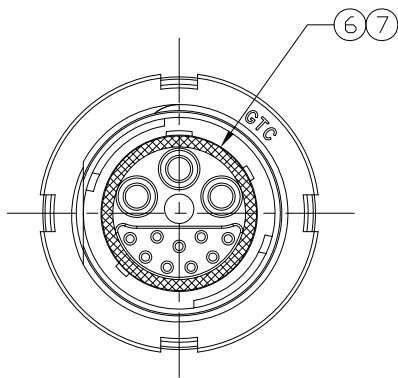
3

4

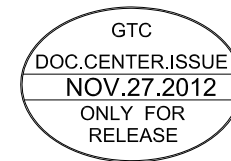
Notes: (Unless Otherwise Specified)

- 1. Waterproof Rate: IP67.
- 2. Recommend Panel Thickness: 0.8 to 4.0 mm.
- 3. Recommend Torque: 24.0~25.0 Kgf-cm.
- 4. Mating Cap P/N: GT1C5511X2.
- 5. RoHS Compliant.

REV	ECN#	DESCRIPTION OF REVISION	DRAW BY DATE	CHECK BY DATE	APPROVE BY DATE
A0	ECN-121120	Mass Production	Lucas 11/22/12	Lucas 11/22/12	Ray 11/22/12



Recommend Panel Cut-Out



Item	Part Name	Material / Finish	Q'ty
7	Glue	Cyanoacrylate adhesive Color: Clean	
6	O-Ring	Silicone Color: Red	1
5	Glue	Epoxy Color: Black	
4	Gasket	Silicone Color: Black	1
3	Spanner Nut	Thermoplastic Color: Black	1
2	Contacts	Copper Alloy Finish: Gold Flash	12
1	Housing	Thermoplastic Color: Black	1

TITLE						DRAWING NUMBER			REV.
Hybrid C5 20A+5A 3P+9P Panel Female Solder Twist Lock						GT1D5102-05390(FS)			A0
THIRD ANGLE PROJECTION	SIZE	SCALE	DRAW / DATE	CHECK / DATE	APPROVE / DATE	TOLERANCES	UNIT	SHEET	
	B	1:1	Lucas 04/05/12	Lucas 04/05/12	Ray 04/05/12	X.X ± 0.5 X.XX ± 0.2	mm	1/1	
						X.XXX ± 0.05 ANGLES ± 1°			

GT Contact CO.,LTD

NOTICE OF PROPRIETARY PROPERTY:

THE INFORMATION CONTAINED HEREIN IS THE PROPRIETARY PROPERTY OF GT Contact CO.,LTD THE POSSESSOR AGREES TO THE FOLLOWING:

- (a) TO MAINTAIN THIS DOCUMENT IN CONFIDENCE
- (b) NOT TO REPRODUCE OR COPY IT
- (c) NOT TO REVEAL OR PUBLISH IT IN WHOLE OR PART
- (d) ALL RIGHTS RESERVED

1

2

3

4