

1

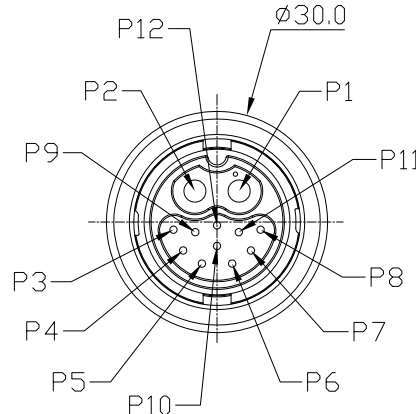
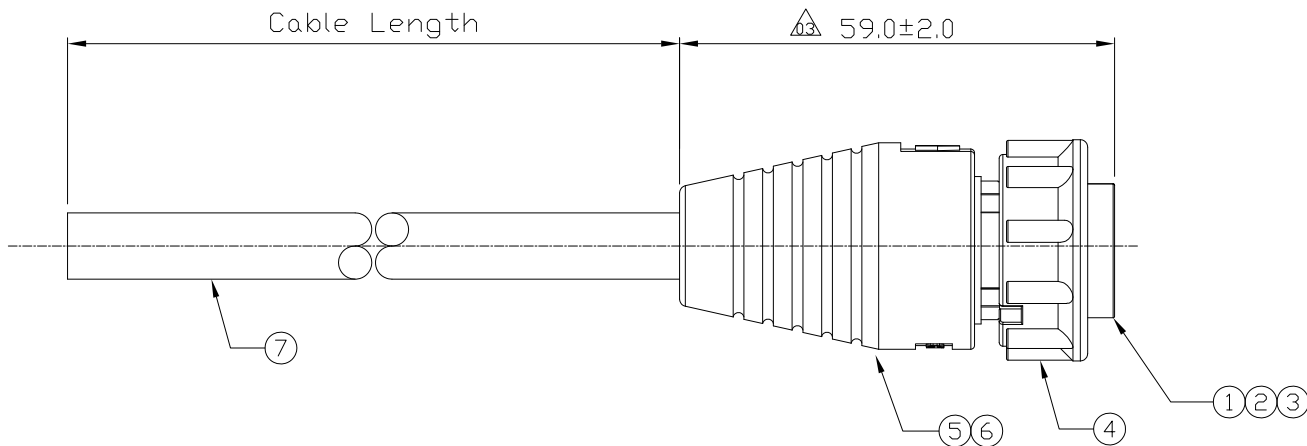
2

3

4

Notes: (Unless Otherwise Specified)
 1. Waterproof Rate : IP67.
 2. RoHS Compliant.

REV	ECN#	DESCRIPTION OF REVISION	DRAW BY DATE	CHECK BY DATE	APPROVE BY DATE
03	ECN-190411	Change The Size Of The Mold	Lucas 04/18/19	Lucas 04/18/19	Ray 04/18/19



Item	Part Name	Material / Finish	Q'ty
7	Cable	UL2464 10C*24AWG+A+2C*16AWG, DD=9.0mm Color: Black	1
6	Over Mold	PVC Color: Black	1
5	Inner Mold	Thermoplastic Color: White Or Black	1
4	Lock Nut	Thermoplastic Color: Black	1
3	O-ring	Silicone Color: Red	1
2	Contacts	Copper Alloy Finish: Au Plated	12
1	Housing	Thermoplastic Color: Black	1

1	Black/White
2	Black/Red
3	Black
4	Brown
5	Red
6	Orange
7	Yellow
8	Green
9	Blue
10	Purple
11	Gray
12	White

Wiring Diagram

GTC
 DOC.CENTER.ISSUE
 APR.18.2019
 ONLY FOR
 RELEASE

GT1D4223-052A8-10(F)	10000 mm	±500
GT1D4223-052A8-09(F)	9000 mm	±450
GT1D4223-052A8-08(F)	8000 mm	±400
GT1D4223-052A8-07(F)	7000 mm	±150
GT1D4223-052A8-06(F)	6000 mm	±150
GT1D4223-052A8-05(F)	5000 mm	±150
GT1D4223-052A8-04(F)	4000 mm	±150
GT1D4223-052A8-03(F)	3000 mm	±150
GT1D4223-052A8-02(F)	2000 mm	±100
GT1D4223-052A8-01(F)	1000 mm	±50
GT1D4223-052A8-Z5(F)	500 mm	±40
GT1D4223-052A8-Z2(F)	200 mm	±10
Part No.	Cable Length	Tol.

GT Contact CO.,LTD

NOTICE OF PROPRIETARY PROPERTY:

THE INFORMATION CONTAINED HEREIN IS THE PROPRIETARY PROPERTY OF GT Contact CO.,LTD THE POSSESSOR AGREES TO THE FOLLOWING:
 (a) TO MAINTAIN THIS DOCUMENT IN CONFIDENCE
 (b) NOT TO REPRODUCE OR COPY IT
 (c) NOT TO REVEAL OR PUBLISH IT IN WHOLE OR PART
 (d) ALL RIGHTS RESERVED

TITLE						DRAWING NUMBER			REV.
Hybrid C4 25A+5A 2P+10P Cable End Male Lock (Code A)						GT1D4223-052A8-XX(F)			03
THIRD ANGLE PROJECTION	SIZE	SCALE	DRAW / DATE	CHECK / DATE	APPROVE / DATE	TOLERANCES		UNIT	SHEET
	B	1:1	Lucas 05/15/14	Ray 05/15/14	Ray 05/15/14	X.X ± 0.5 X.XX ± 0.2	X.XXX ± 0.05 ANGLES ± 1°	mm	1/1

1

2

3

4