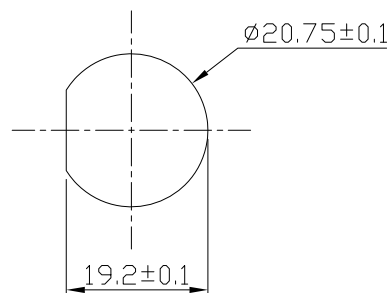
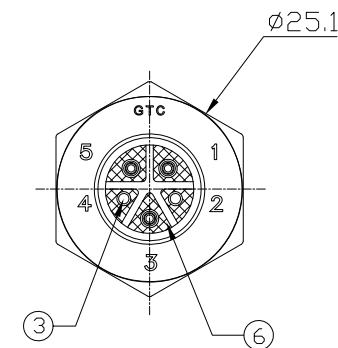
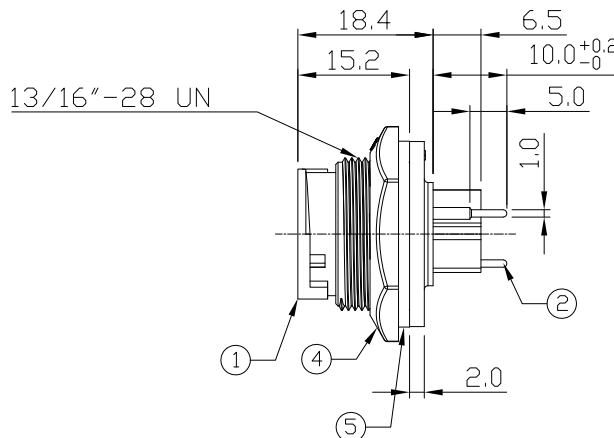
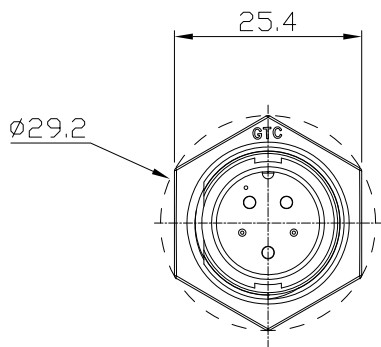


Notes: (Unless Otherwise Specified)

- 1. Waterproof Rate : IP67.
- 2. Recommend Panel Thickness: 0.8 to 4.0 mm.
- △ 3. Recommend Torque: 14~15 Kgf-cm.
- 4. Mating Cap P/N: GT1C5321X2.
- 5. RoHS Compliant.

REV	ECN#	DESCRIPTION OF REVISION	DRAW BY DATE	CHECK BY DATE	APPROVE BY DATE
02	ECN-200811	Change Of Torsion: 6.0~7.0 -> 14~15 Kgf-cm.	Aileen 08/14/20	Lucas 08/14/20	Ray 08/14/20



Recommend Panel Cut-Out

GTC  
 DOC.CENTER.ISSUE  
 AUG.14.2020  
 ONLY FOR  
 RELEASE

6	Glue	Epoxy Color: Black	
5	Gasket	Silicone Color: Black	1
4	Hex Nut	Thermoplastic Color: Black	1
3	Gland Pin	Thermoplastic Color: Black	2
2	Contacts	Copper Alloy Finish: Au Plated	3
1	Housing	Thermoplastic Color: Black	1
Item	Part Name	Material/Finish	Q'ty

TITLE						DRAWING NUMBER			REV.
Hybrid C3 10A 3P Panel Male Dip Lock						GT1D3203-1A300			02
THIRD ANGLE PROJECTION	SIZE	SCALE	DRAW / DATE	CHECK / DATE	APPROVE / DATE	TOLERANCES	UNIT	SHEET	
	B	1:1	Lucas 11/13/12	Ray 11/13/12	Ray 11/13/12	X.X ± 0.5 X.XX ± 0.2	mm	1/1	
						X.XXX ± 0.05 ANGLES ± 1°			

GT Contact CO.,LTD

NOTICE OF PROPRIETARY PROPERTY:  
 THE INFORMATION CONTAINED HEREIN IS THE PROPRIETARY PROPERTY OF GT Contact CO.,LTD THE POSSESSOR AGREES TO THE FOLLOWING:  
 (i) TO MAINTAIN THIS DOCUMENT IN CONFIDENCE  
 (ii) NOT TO REPRODUCE OR COPY IT  
 (iii) NOT TO REVEAL OR PUBLISH IT IN WHOLE OR PART  
 (iv) ALL RIGHTS RESERVED