

1

2

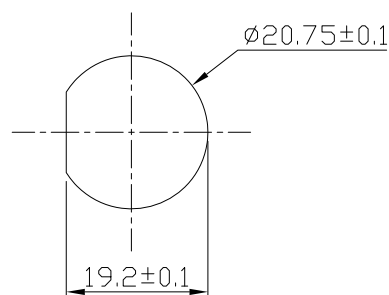
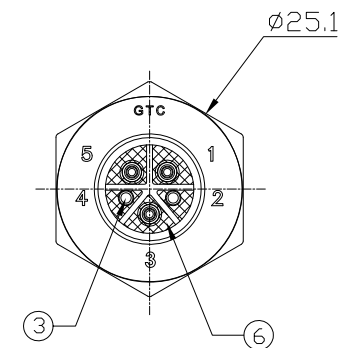
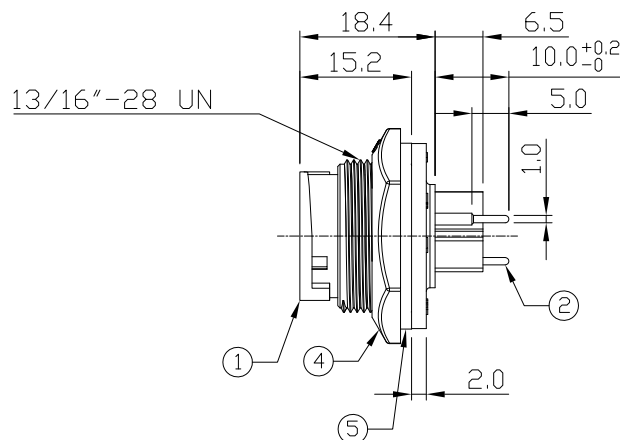
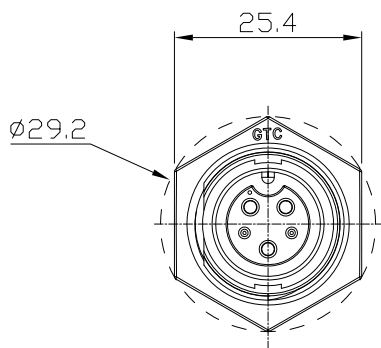
3

4

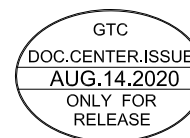
Notes: (Unless Otherwise Specified)

1. Waterproof Rate : IP67.
2. Recommend Panel Thickness: 0.8 to 4.0 mm.
- △ 3. Recommend Torque: 14~15 Kgf-cm.
4. Mating Cap P/N: GT1C5321X2.
5. RoHS Compliant.

REV	ECN#	DESCRIPTION OF REVISION	DRAW BY DATE	CHECK BY DATE	APPROVE BY DATE
02	ECN-200811	Change Of Torsion: 6.0~7.0 -> 14~15 Kgf-cm.	Aileen 08/14/20	Lucas 08/14/20	Ray 08/14/20



6	Glue	Epoxy Color: Black	
5	Gasket	Silicone Color: Black	1
4	Hex Nut	Thermoplastic Color: Black	1
3	Gland Pin	Thermoplastic Color: Black	2
2	Contacts	Copper Alloy Finish: Au Plated	3
1	Housing	Thermoplastic Color: Black	1
Item	Part Name	Material/Finish	Q'ty



GT Contact CO.,LTD

NOTICE OF PROPRIETARY PROPERTY:

THE INFORMATION CONTAINED HEREIN IS THE PROPRIETARY PROPERTY OF GT Contact CO.,LTD THE POSSESSOR AGREES TO THE FOLLOWING:

(i) TO MAINTAIN THIS DOCUMENT IN CONFIDENCE

(ii) NOT TO REPRODUCE OR COPY IT

(iii) NOT TO REVEAL OR PUBLISH IT IN WHOLE OR PART

(iv) ALL RIGHTS RESERVED

TITLE						DRAWING NUMBER			REV.
Hybrid C3 10A 3P Panel Female Dip Lock						GT1D3202-1A300			02
	B	1:1	Lucas 11/13/12	Ray 11/13/12	Ray 11/13/12	X.X ± 0.5 X.XX ± 0.2	X.XXX ± 0.05 ANGLES ± 1°	mm	1/1
THIRD ANGLE PROJECTION	SIZE	SCALE	DRAW / DATE	CHECK / DATE	APPROVE / DATE	TOLERANCES		UNIT	SHEET

1

2

3

4