

1

2

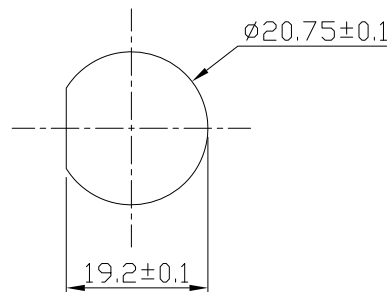
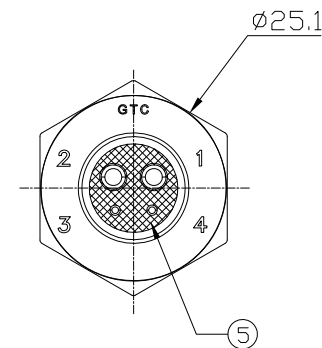
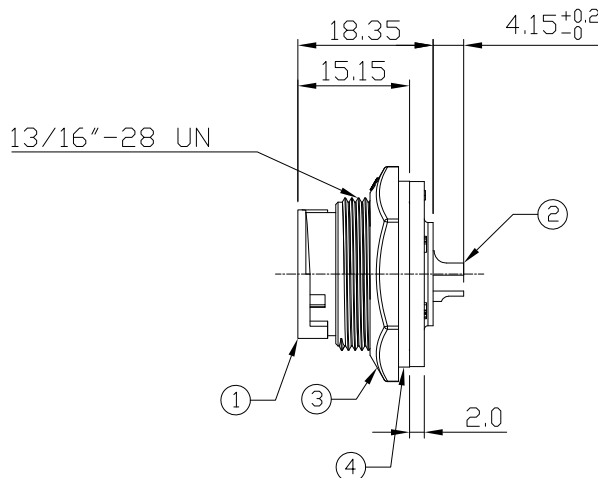
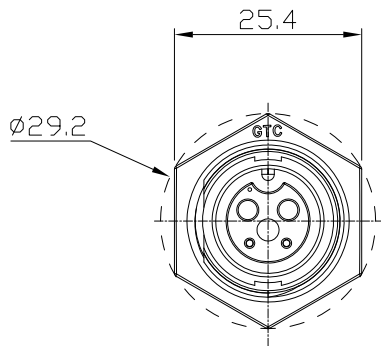
3

4

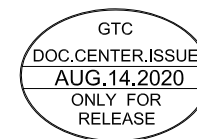
Notes: (Unless Otherwise Specified)

- 1. Waterproof Rate : IP67.
- 2. Recommend Panel Thickness: 0.8 to 4.0 mm.
- △ 3. Recommend Torque: 14~15 Kgf-cm.
- 4. Mating Cap P/N: GT1C5321X2.
- 5. 100% Mating Test.
- 6. RoHS Compliant.

REV	ECN#	DESCRIPTION OF REVISION	DRAW BY DATE	CHECK BY DATE	APPROVE BY DATE
02	ECN-200811	Change Of Torsion: 6.0~7.0 -> 14~15 Kgf-cm.	Aileen 08/14/20	Lucas 08/14/20	Ray 08/14/20



Recommend Panel Cut-Out



Item	Part Name	Material/Finish	Q'ty
5	Glue	Epoxy Color: Black	
4	Gasket	Silicone Color: Black	1
3	Hex Nut	Thermoplastic Color: Black	1
2	Contacts	Copper Alloy Finish: Au Plated	4
1	Housing	Thermoplastic Color: Black	1

TITLE Hybrid C3 15A+2A 2P+2P Panel Female Solder Lock						DRAWING NUMBER GT1D3202-08220		REV. 02
--	--	--	--	--	--	----------------------------------	--	------------

THIRD ANGLE PROJECTION	SIZE B	SCALE 1:1	DRAW / DATE Lucas 01/02/13	CHECK / DATE Ray 01/02/13	APPROVE / DATE Ray 01/02/13	TOLERANCES X.X ± 0.5 X.XX ± 0.2	ANGLES X.XXX ± 0.05 ± 1°	UNIT mm	SHEET 1/1
------------------------	-----------	--------------	-------------------------------	------------------------------	--------------------------------	---------------------------------------	--------------------------------	------------	--------------

GT Contact CO.,LTD

NOTICE OF PROPRIETARY PROPERTY:
THE INFORMATION CONTAINED HEREIN IS THE PROPRIETARY PROPERTY OF GT Contact CO.,LTD THE POSSESSOR AGREES TO THE FOLLOWING:
(i) TO MAINTAIN THIS DOCUMENT IN CONFIDENCE
(ii) NOT TO REPRODUCE OR COPY IT
(iii) NOT TO REVEAL OR PUBLISH IT IN WHOLE OR PART
(iv) ALL RIGHTS RESERVED

1

2

3

4