

1

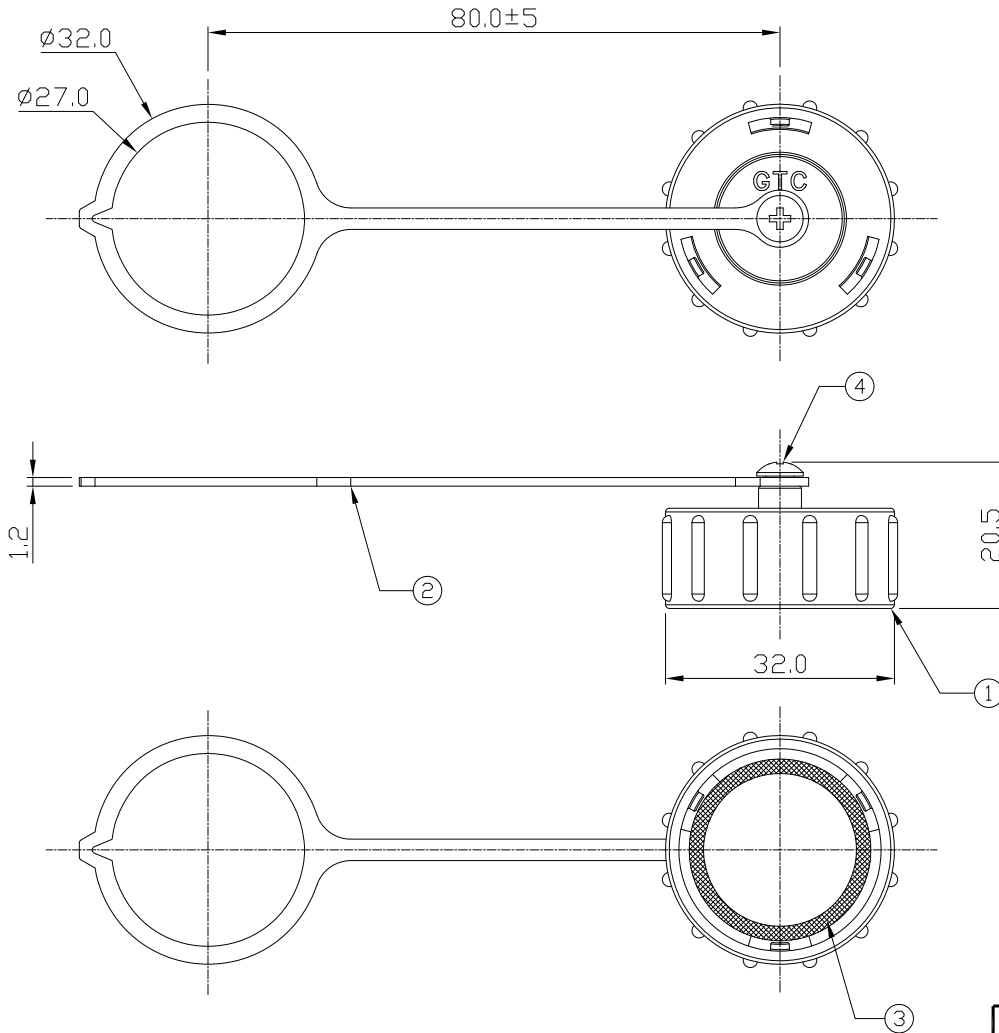
2

3

4

| REV | ECN# | DESCRIPTION OF REVISION | DRAW BY DATE      | CHECK BY DATE   | APPROVE BY DATE |
|-----|------|-------------------------|-------------------|-----------------|-----------------|
| 01  |      |                         | Lucas<br>10/03/14 | Ray<br>10/03/14 | Ray<br>10/03/14 |

Notes: (Unless Otherwise Specified)  
 1. Waterproof Rate: IP67.  
 2. RoHS Compliant.



| Item | Part Name     | Material / Finish             | Qty |
|------|---------------|-------------------------------|-----|
| 4    | Tapping Screw | Stainless<br>Finish:-         | 1   |
| 3    | Gasket        | Silicone<br>Color: Black      | 1   |
| 2    | Plastic Chain | Thermoplastic<br>Color: Black | 1   |
| 1    | Lock Cap      | Thermoplastic<br>Color: Black | 1   |

| TITLE   |      |       |                |              | DRAWING NUMBER |                         |                             | REV. |       |
|---|------|-------|----------------|--------------|----------------|-------------------------|-----------------------------|------|-------|
| Cap Plastic For SFP Lock Panel With Plastic Chain |      |       |                |              | GT1CF14032     |                         |                             | 01   |       |
| THIRD ANGLE PROJECTION                            | SIZE | SCALE | DRAW / DATE    | CHECK / DATE | APPROVE / DATE | TOLERANCES              |                             | UNIT | SHEET |
|   | B    | 1:1   | Lucas 10/03/14 | Ray 10/03/14 | Ray 10/03/14   | X.X ± 0.5<br>X.XX ± 0.2 | X.XXX ± 0.05<br>ANGLES ± 1° | mm   | 1/1   |

**GT Contact CO.,LTD**

NOTICE OF PROPRIETARY PROPERTY:

THE INFORMATION CONTAINED HEREIN IS THE PROPRIETARY PROPERTY OF GT Contact CO.,LTD THE POSSESSOR AGREES TO THE FOLLOWING:  
 (i) TO MAINTAIN THIS DOCUMENT IN CONFIDENCE  
 (ii) NOT TO REPRODUCE OR COPY IT  
 (iii) NOT TO REVEAL OR PUBLISH IT IN WHOLE OR PART  
 (iv) ALL RIGHTS RESERVED

1

2

3

4