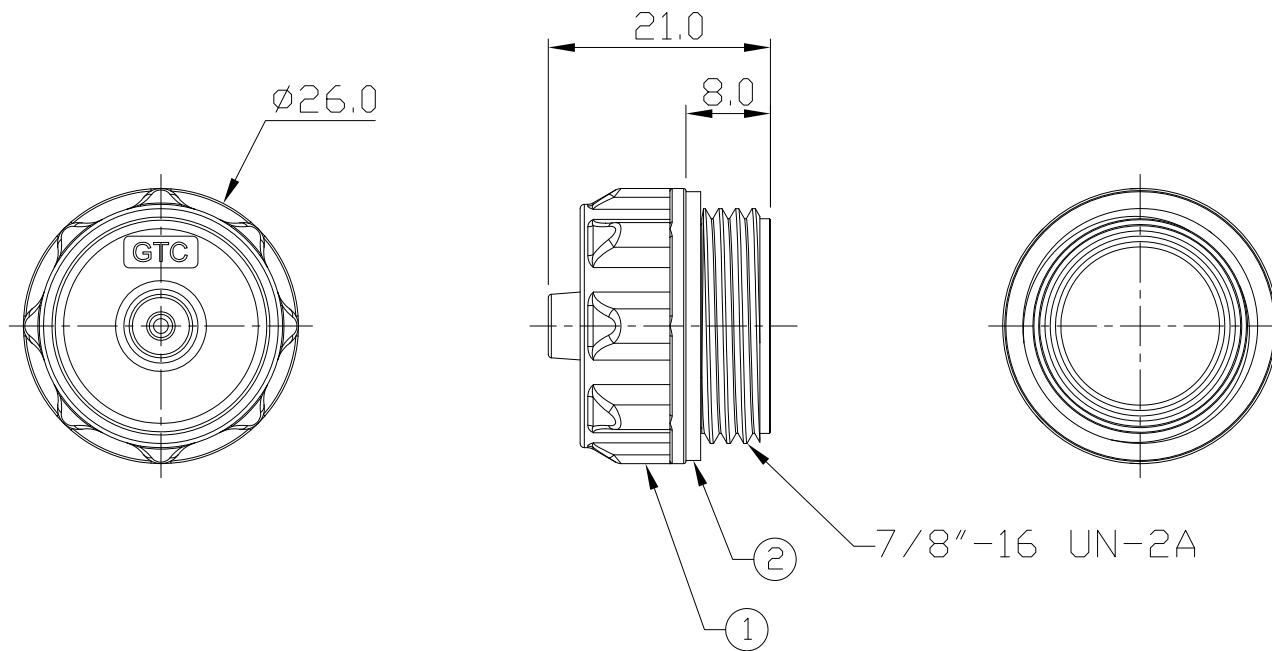


Notes: (Unless Otherwise Specified)

1. Waterproof Rate: IP67.
2. RoHS Compliant.

REV	ECN#	DESCRIPTION OF REVISION	DRAW BY DATE	CHECK BY DATE	APPROVE BY DATE
A0		Mass Production	Joyce 09/18/17	Lucas 09/18/17	Ray 09/18/17



GTC
DOC.CENTER.ISSUE
SEP.18.2017
ONLY FOR
RELEASE

Item	Part Name	Material / Finish	Q'ty
2	Rubber Pad	Viton Color: Black	1
1	Screw Cap	Thermoplastic Color: Black	1

TITLE						DRAWING NUMBER			REV.	
Cap Plastic For Mini Female End						GT1C733002			A0	
	B	1:1	Edwin 12/02/13	Lucas 12/02/13	Ray 12/02/13	X.X X.XX	± 0.5 ± 0.2	ANGLES ± 1°	mm	1/1
THIRD ANGLE PROJECTION	SIZE	SCALE	DRAW / DATE	CHECK / DATE	APPROVE / DATE	TOLERANCES		UNIT	SHEET	

GT Contact CO.,LTD

NOTICE OF PROPRIETARY PROPERTY:
THE INFORMATION CONTAINED HEREIN IS THE PROPRIETARY PROPERTY OF GT Contact CO.,LTD THE POSSESSOR AGREES TO THE FOLLOWING:
(i) TO MAINTAIN THIS DOCUMENT IN CONFIDENCE
(ii) NOT TO REPRODUCE OR COPY IT
(iii) NOT TO REVEAL OR PUBLISH IT IN WHOLE OR PART
(iv) ALL RIGHTS RESERVED