

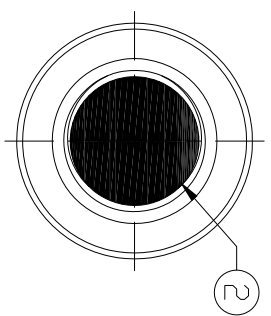
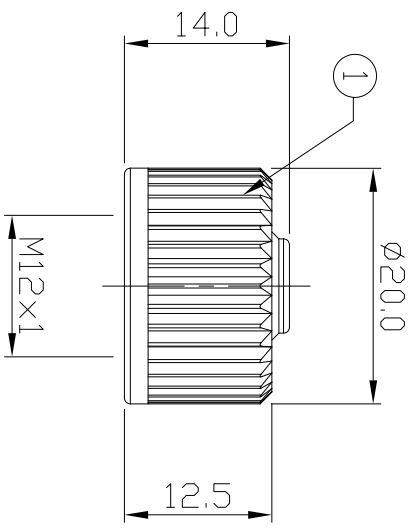
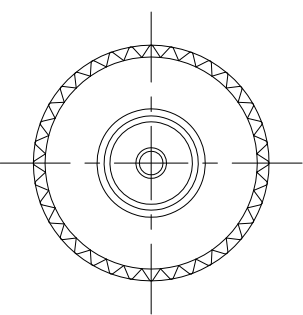
4

3

2

1

Notes: (Unless Otherwise Specified)
 1. Waterproof Rate: IPX7(Mating)
 2. RoHS Compliance.



Item	Part Name	Material/Finish	Qty
1	Screw Cap	Thermal Plastic Color: Black	1
2	Rubber Pad	Viton Color: Black	1

GTC
 R&D DEPT. ISSUE
 JUL.13.2010
 ONLY FOR RELEASE
 CONFIDENTIAL

REV	ECN#	DESCRIPTION OF REVISION

METRIC

GT Contact CO, LTD

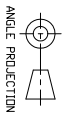
DRAWER	DATE
David	07/04/10
APPROVED	DATE
Roy	07/04/10

NOTICE OF PROPRIETARY PROPERTY:
 THE INFORMATION CONTAINED HEREIN IS THE PROPRIETARY PROPERTY OF CONTACT CO, LTD. THE POSSESSION, REPRODUCTION OR DISSEMINATION OF THIS DOCUMENT IS STRICTLY PROHIBITED. TO MAINTAIN THIS DOCUMENT IN CONFIDENCE. (A) NOT TO REPRODUCE OR COPY IT (B) NOT TO REVEAL OR PUBLISH IT IN WHOLE OR PART (C) ALL RIGHTS RESERVED

TOLERANCES

XX	±0.5
X.XX	±0.20
X.XXX	±0.05
ANGLES	±0.5 °

DO NOT SCALE DRAWINGS



THIRD ANGLE PROJECTION

SIZE B

DRAWING NUMBER
 GT1C353102

REV. 01

M12 Male Cap
 Without Rubber Chain

SCALE 1:1

SHT 1 OF 1

4

3

2

A

B

C

D

A

B

C

D