

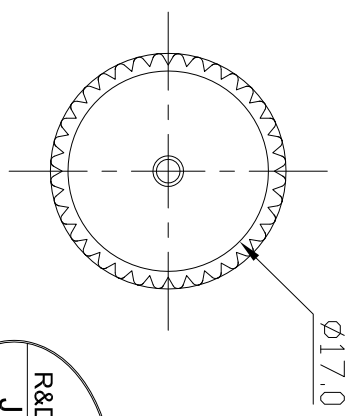
4

3

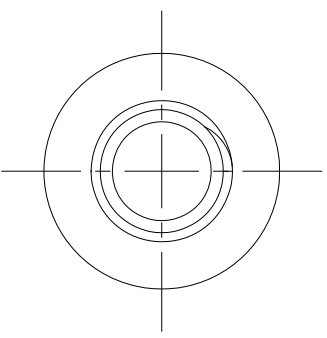
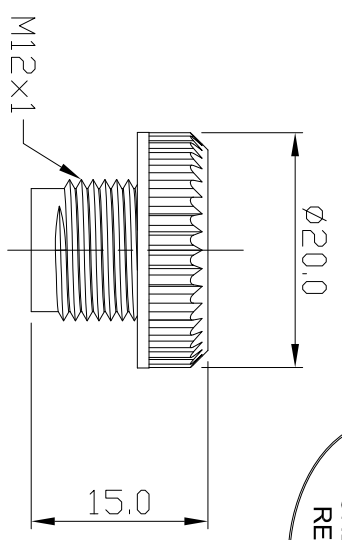
2

1

Notes: (Unless Otherwise Specified)
 1. Waterproof Rate: IPX7(Mating)
 2. RoHS Compliance.



GTC
 R&D DEPT. ISSUE
 JUL.13.2010
 ONLY FOR
 RELEASE



REV	ECN#	DESCRIPTION OF REVISION

Item	Part Name	Material/Finish/Color	Qty
1	Screw Cap	Thermal Plastic UL94V-0 Color: Black	1

METRIC		GT Contact CO.,LTD	
DRAWER	DATE	NOTICE OF PROPRIETARY PROPERTY:	
David	07/04/10	THE INFORMATION CONTAINED HEREIN IS THE PROPRIETARY PROPERTY OF CONTACT CO.,LTD. THE POSSESSION, REPRODUCTION OR DISSEMINATION OF THIS DOCUMENT WITHOUT THE WRITTEN PERMISSION OF CONTACT CO.,LTD. IS STRICTLY PROHIBITED.	
APPROVED	DATE	① TO MAINTAIN THIS DOCUMENT IN CONFIDENCE	
Roy	07/04/10	② NOT TO REPRODUCE OR COPY IT	
		③ NOT TO REVEAL OR PUBLISH IT IN WHOLE OR PART	
		④ ALL RIGHTS RESERVED	

DIMENSIONS ARE IN MILLIMETER		TITLE	
XX	±0.5	M1.2 Female Cap	
X.XX	±0.20	Without Rubber Chain	
X.XXX	±0.05		
ANGLES	±0.5 °		
DO NOT SCALE DRAWINGS		DRAWING NUMBER	
		GT1C353002	
		REV.	
		01	

THIRD ANGLE PROJECTION		SIZE	SCALE	SHT	OF
		B	1:1	1	1

4

3

2

A

B

C

D

A

B

C

D