

1

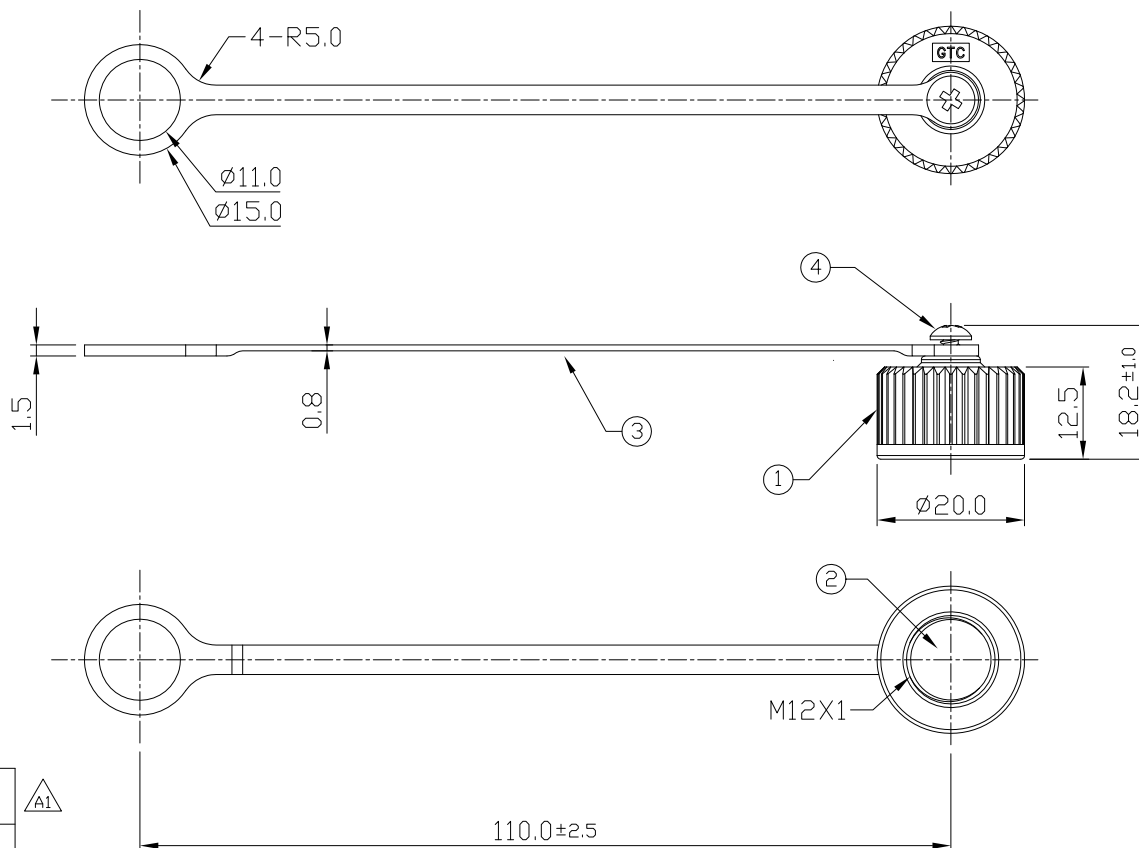
2

3

4

Notes: (Unless Otherwise Specified)
 1. Waterproof Rate: IP67.
 2. RoHS Compliant.

REV	ECN#	DESCRIPTION OF REVISION	DRAW BY DATE	CHECK BY DATE	APPROVE BY DATE
A0		Mass Production	Joyce 09/03/12	Lucas 09/03/12	Ray 09/03/12
A1	ECN-141203	Change Tapping Screw Material --->SUS303	Hank 12/09/14	Lucas 12/09/14	Ray 12/09/14



GTC
 DOC.CENTER.ISSUE
 DEC.10.2014
 ONLY FOR
 RELEASE

Item	Part Name	Material / Finish	Q'ty
4	Tapping Screw	SUS303 Finish: -	1
3	Plastic Chain	Thermoplastic Color: Black	1
2	Rubber Pad	Viton Color: Black	1
1	Screw Cap	Thermoplastic Color: Black	1



TITLE						DRAWING NUMBER			REV.
Cap Plastic For M12 Male End With Plastic Chain						GT1C343132			A1
THIRD ANGLE PROJECTION	SIZE	SCALE	DRAW / DATE	CHECK / DATE	APPROVE / DATE	TOLERANCES	UNIT	SHEET	
	B	1:1	Joyce 09/03/12	Lucas 09/03/12	Ray 09/03/12	X.X ± 0.5 X.XX ± 0.2	mm	1/1	
						X.XXX ± 0.05 ANGLES ± 1°			

GT Contact CO.,LTD

NOTICE OF PROPRIETARY PROPERTY:
 THE INFORMATION CONTAINED HEREIN IS THE PROPRIETARY PROPERTY OF GT Contact CO.,LTD THE POSSESSOR AGREES TO THE FOLLOWING:
 (a) TO MAINTAIN THIS DOCUMENT IN CONFIDENCE
 (b) NOT TO REPRODUCE OR COPY IT
 (c) NOT TO REVEAL OR PUBLISH IT IN WHOLE OR PART
 (d) ALL RIGHTS RESERVED

1

2

3

4