

1

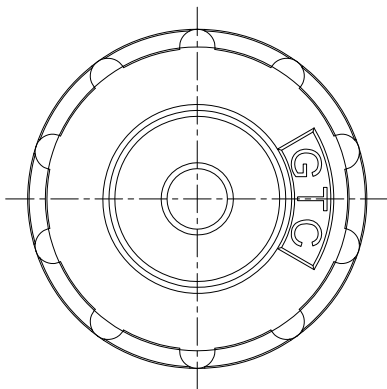
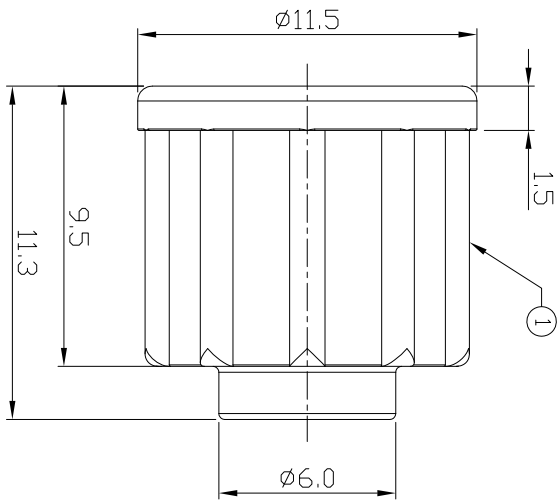
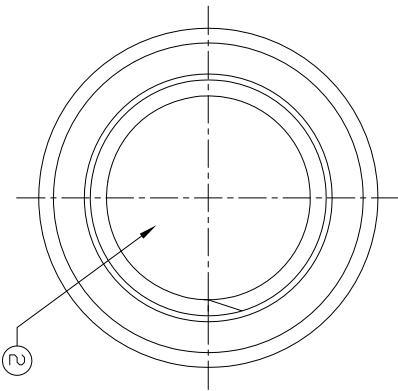
2

3

4

- Notes: (Unless Otherwise Specified)
1. Waterproof Rate : IP67.
  2. RoHS Compliance.

REV	ECN#	DESCRIPTION OF REVISION	DRAW BY DATE	CHECK BY DATE	APPROVE BY DATE
A0		Mass Production	Joyce 05/11/11	Lucas 05/11/11	Roy 05/11/11



GTC  
DOC.CENTER.ISSUE  
MAY.12.2011  
ONLY FOR  
RELEASE

2	Rubber Pad	Silicone Color: Black	1
1	Screw Cap	Thermal Plastic Color: Black	1
Item	Part Name	Material / Finish	Qty

TITLE  
Cap Plastic For M8 Male End

DD NOT SCALE DRAWING	B	4:1	Joyce 05/11/11	Lucas 05/11/11	Roy 05/11/11	XX XXX	± 0.5 ± 0.2	XXXX ANGLES	± 0.05 ± 1°	mm	1/1
THIRD ANGLE PROJECTION	SIZE	SCALE	DRAW / DATE	CHECK / DATE	APPROVE / DATE	TOLERANCES	UNIT	SHEET			

NOTICE OF PROPRIETARY PROPERTY:

GT Contact CD, LTD

THE INFORMATION CONTAINED HEREIN IS THE PROPRIETARY PROPERTY OF GT Contact CD, LTD. THE POSSESSOR AGREES TO THE FOLLOWING:  
 (1) TO MAINTAIN THIS DOCUMENT IN CONFIDENCE  
 (2) NOT TO REPRODUCE OR PUBLISH IT IN WHOLE OR PART  
 (3) ALL RIGHTS RESERVED

A

B

C

D

A

B

C

D

1

2

3

4