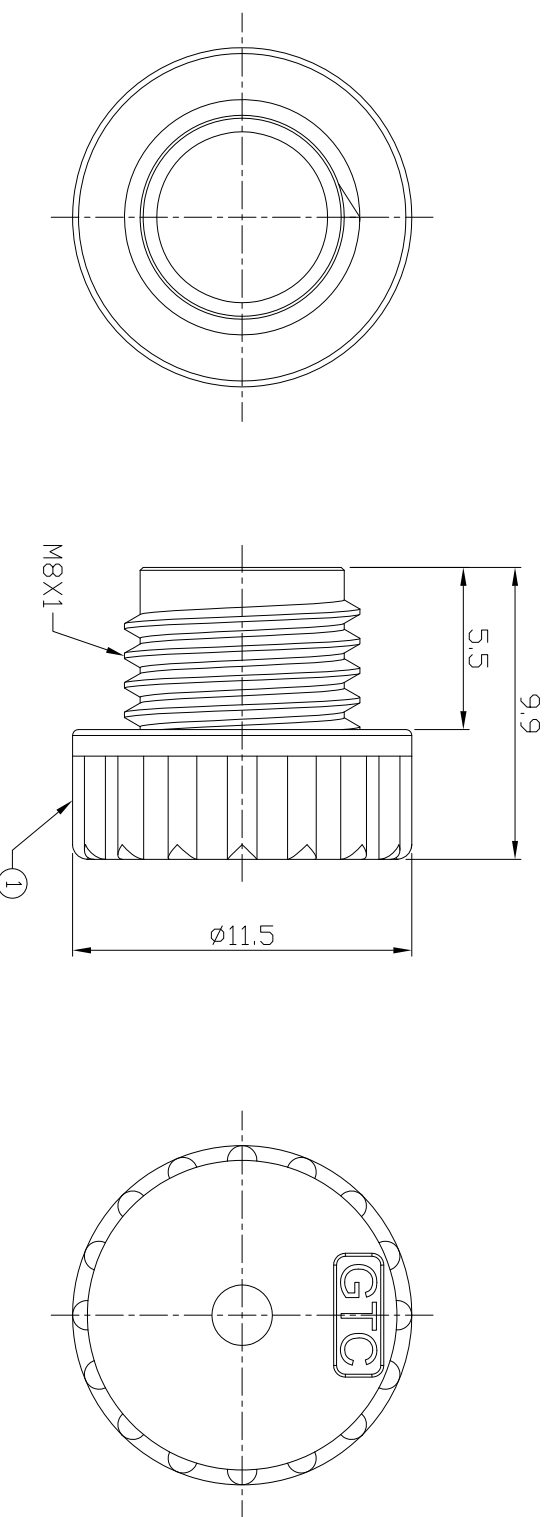


Notes: (Unless Otherwise Specified)  
 1. Waterproof Rate : IP67.  
 2. RoHS Compliance.

REV	ECN#	DESCRIPTION OF REVISION	DRAW BY DATE	CHECK BY DATE	APPROVE BY DATE
A0		Mass Production	Joyce 05/11/11	Lucas 05/11/11	Roy 05/11/11



GTC  
 DOC.CENTER.ISSUE  
 MAY.12.2011  
 ONLY FOR  
 RELEASE

Item	Part Name	Material / Finish	Qty
1	Screw Cap	Thermal Plastic Color: Black	1

TITLE  
 Cap Plastic For M8 Female End

DD NOT SCALE DRAWING	SIZE	SCALE	DRAW / DATE	CHECK / DATE	APPROVE / DATE	DRAWING NUMBER	REV.
	B	4:1	Joyce 05/11/11	Lucas 05/11/11	Roy 05/11/11	GT1C323002	A0
THIRD ANGLE PROJECTION						TOLERANCES	SHEET
						XX ± 0.5 XXX ± 0.2	mm 1/1
						XXXX ± 0.05 ANGLES ± 1°	

GT Contact CD,LTD  
 NOTICE OF PROPRIETARY PROPERTY:  
 THE INFORMATION CONTAINED HEREIN IS THE PROPRIETARY PROPERTY OF GT Contact CD,LTD THE POSSESSOR AGREES TO MAINTAIN THIS INFORMATION IN CONFIDENCE AND NOT TO REPRODUCE OR PUBLISH IT IN WHOLE OR PART (W) ALL RIGHTS RESERVED