

4

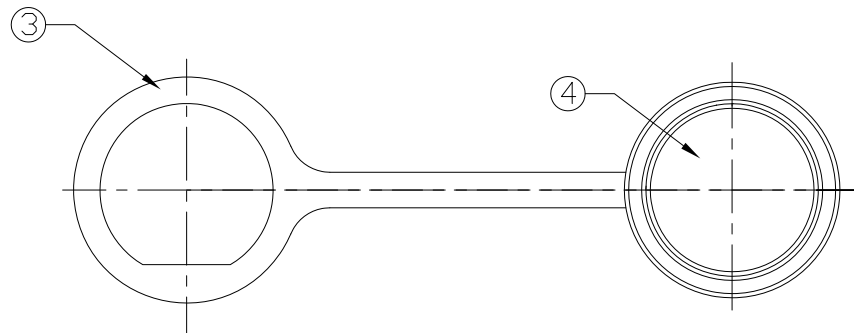
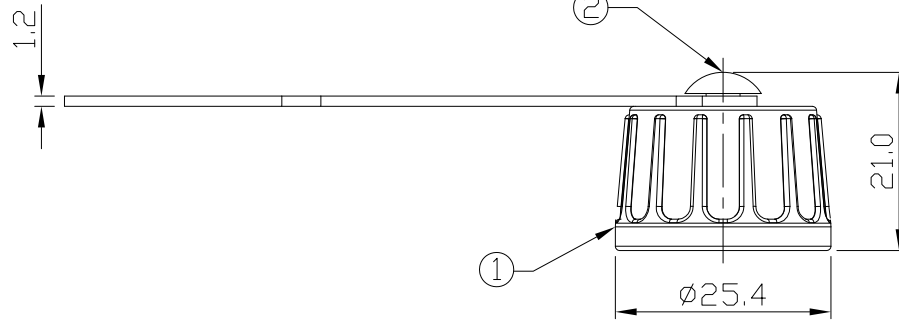
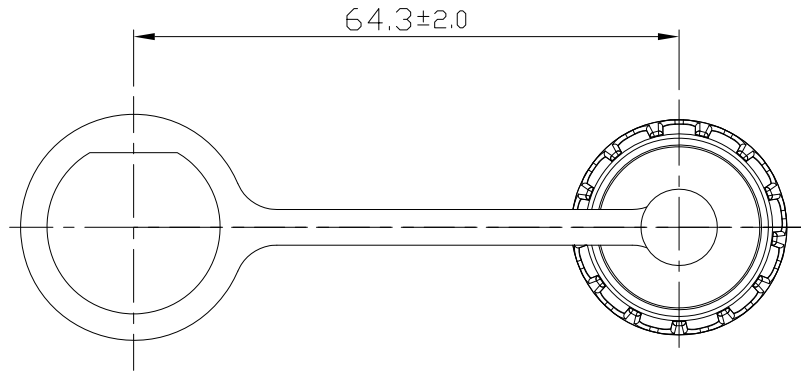
3

2

1

Notes: (Unless Otherwise Specified)

- 1. Waterproof Rate : IPX7(Mating).
- 2. RoHS Compliance.



REV	ECN#	DESCRIPTION OF REVISION	DATE
A2	ECN-200629	Change The Material Of Rubber Chain, Thermal Plastic → NBR.	081120

Item	Part Name	Material/Finish	Q'ty
1	Screw Cap	Thermal Plastic Color: Black	1
2	Rivet	Thermal Plastic Color: Black	1
3	Rubber Chain	NBR Color: Black	1 A2
4	Rubber Pad	Silicone Color: Black	1

METRIC		GT Contact CO.,LTD	
DRAFTER David	DATE 06/29/10	NOTICE OF PROPRIETARY PROPERTY: THE INFORMATION CONTAINED HEREIN IS THE PROPRIETARY PROPERTY OF GT Contact CO.,LTD. THE POSSESSOR AGREES TO THE FOLLOWING: (a) TO MAINTAIN THIS DOCUMENT IN CONFIDENCE (b) NOT TO REPRODUCE OR COPY IT (c) NOT TO REVEAL OR PUBLISH IT IN WHOLE OR PART (d) ALL RIGHTS RESERVED	
APPROVED Ray	DATE 06/29/10		
DIMENSIONS ARE IN MILLIMETER TOLERANCES X.X ±0.5 X.XX ±0.20 X.XXX ±0.05 ANGLES ±2° DO NOT SCALE DRAWINGS		TITLE RJ45 C3 Waterproof Cap With Rubber Chain For Metal	
THIRD ANGLE PROJECTION		DRAWING NUMBER GT1C213022	REV. A2
		SCALE 1:1	SHT 1 OF 1

4

3

2

D

C

B

A