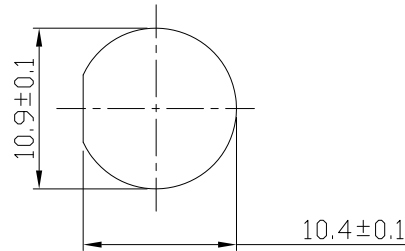
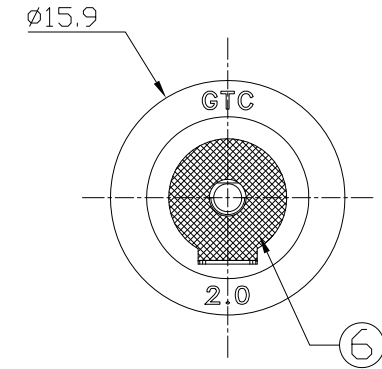
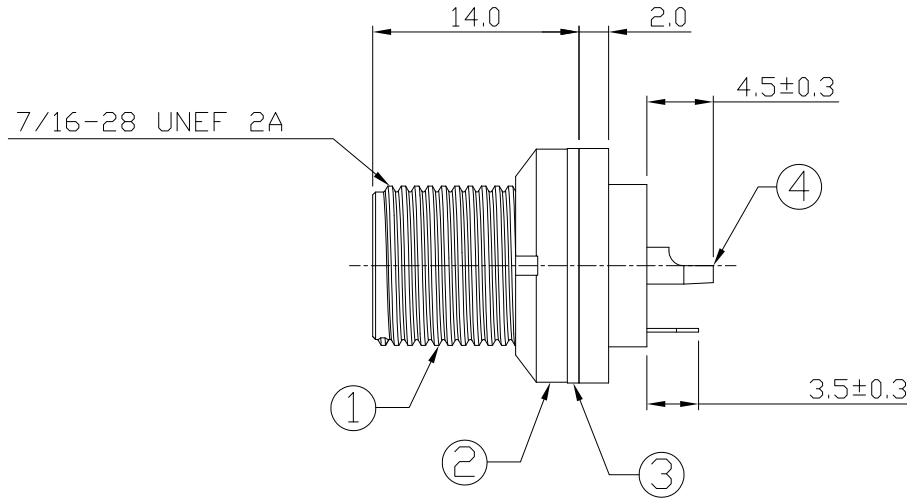
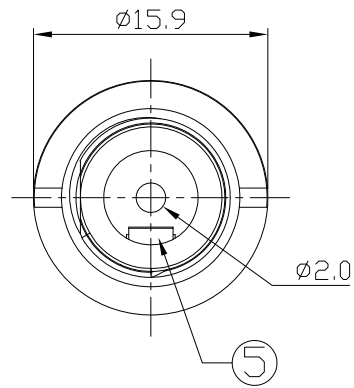


Notes: (Unless Otherwise Specified)

1. Waterproof Rate: IP67.
2. Recommend Panel Thickness: 0.8 to 4.0 mm.
3. Recommend Torque: 6~7 Kgf-cm.
4. Mating Cap P/N: GT1C5131X2.
5. RoHS Compliant.

REV	ECN#	DESCRIPTION OF REVISION	DRAW BY DATE	CHECK BY DATE	APPROVE BY DATE
01			Viola 05/02/18	Lucas 05/02/18	Ray 05/02/18



Recommend
Panel Cut-Out

Item	Part Name	Material / Finish	Q'ty
6	Glue	Epoxy Color: Black	
5	Terminal	Copper Alloy Finish: Ni Plated	1
4	Contact	Copper Alloy Finish: Ni Plated	1
3	Gasket	Silicone Color: Black	1
2	Spanner Nut	Thermoplastic Color: Black	1
1	Housing	Thermoplastic Color: Black	1



GT Contact CO.,LTD

NOTICE OF PROPRIETARY PROPERTY:
THE INFORMATION CONTAINED HEREIN IS THE PROPRIETARY PROPERTY OF GT CONTACT CO.,LTD THE POSSESSOR AGREES TO THE FOLLOWING:
(i) TO MAINTAIN THIS DOCUMENT IN CONFIDENCE
(ii) NOT TO REPRODUCE OR COPY IT
(iii) NOT TO REVEAL OR PUBLISH IT IN WHOLE OR PART
(iv) ALL RIGHTS RESERVED

TITLE						DRAWING NUMBER			REV.
DC 2.0mm Panel Jack Solder Screw + Spanner Nut						GT1B2102(S)			01
THIRD ANGLE PROJECTION	SIZE	SCALE	DRAW / DATE	CHECK / DATE	APPROVE / DATE	TOLERANCES	UNIT	SHEET	
	B	1:1	Viola 05/02/18	Lucas 05/02/18	Ray 05/02/18	X.X ± 0.5 X.XX ± 0.2	mm	1/1	
						X.XXX ± 0.05 ANGLES ± 1°			