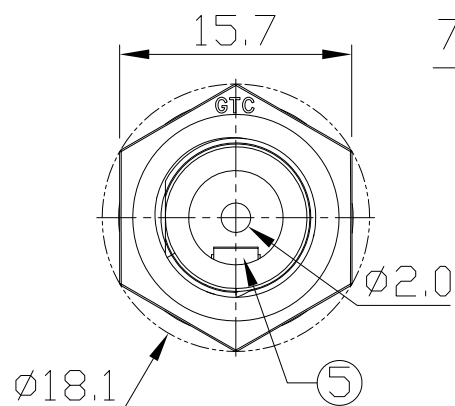


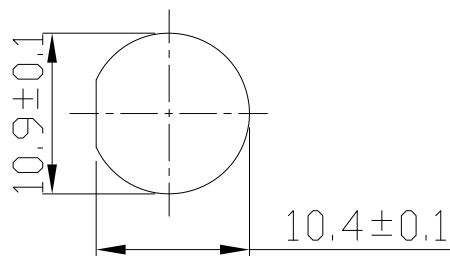
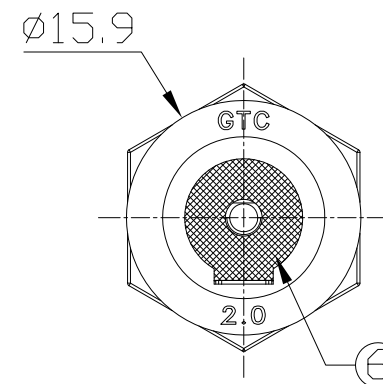
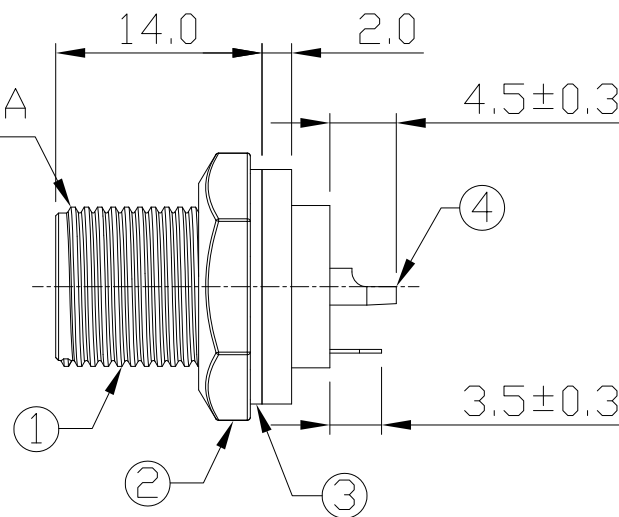
Notes: (Unless Otherwise Specified)

1. Waterproof Rate: IP67.
2. Recommend Panel Thickness: 0.8 to 4.0 mm.
3. Recommend Torque: 6~7 Kgf-cm.
4. Mating Cap P/N: GT1C5131X2.
5. RoHS Compliant.

REV	ECN#	DESCRIPTION OF REVISION	DRAW BY DATE	CHECK BY DATE	APPROVE BY DATE
01			Viola 02/23/18	Lucas 02/23/18	Ray 02/23/18



7/16-28 UNEF 2A



Recommend  
Panel Cut-Out

Item	Part Name	Material / Finish	Q'ty
6	Glue	Epoxy Color: Black	
5	Terminal	Copper Alloy Finish: Ni Plated	1
4	Contact	Copper Alloy Finish: Ni Plated	1
3	Gasket	Silicone Color: Black	1
2	Hex Nut	Thermoplastic Color: Black	1
1	Housing	Thermoplastic Color: Black	1

GTC  
DOC.CENTER.ISSUE  
MAR.02.2018  
ONLY FOR  
RELEASE

TITLE						DRAWING NUMBER			REV.
DC 2.0mm Panel Jack Solder Screw						GT1B2102			01
	B	1:1	Viola 02/23/18	Lucas 02/23/18	Ray 02/23/18	X.X ± 0.5 X.XX ± 0.2	X.XXX ± 0.05 ANGLES ± 1°	mm	1/1
THIRD ANGLE PROJECTION	SIZE	SCALE	DRAW / DATE	CHECK / DATE	APPROVE / DATE	TOLERANCES		UNIT	SHEET

GT Contact CO.,LTD

NOTICE OF PROPRIETARY PROPERTY:  
THE INFORMATION CONTAINED HEREIN IS THE PROPRIETARY PROPERTY OF GT CONTACT CO.,LTD THE POSSESSOR AGREES TO THE FOLLOWING:  
(i) TO MAINTAIN THIS DOCUMENT IN CONFIDENCE  
(ii) NOT TO REPRODUCE OR COPY IT  
(iii) NOT TO REVEAL OR PUBLISH IT IN WHOLE OR PART  
(iv) ALL RIGHTS RESERVED