

1

2

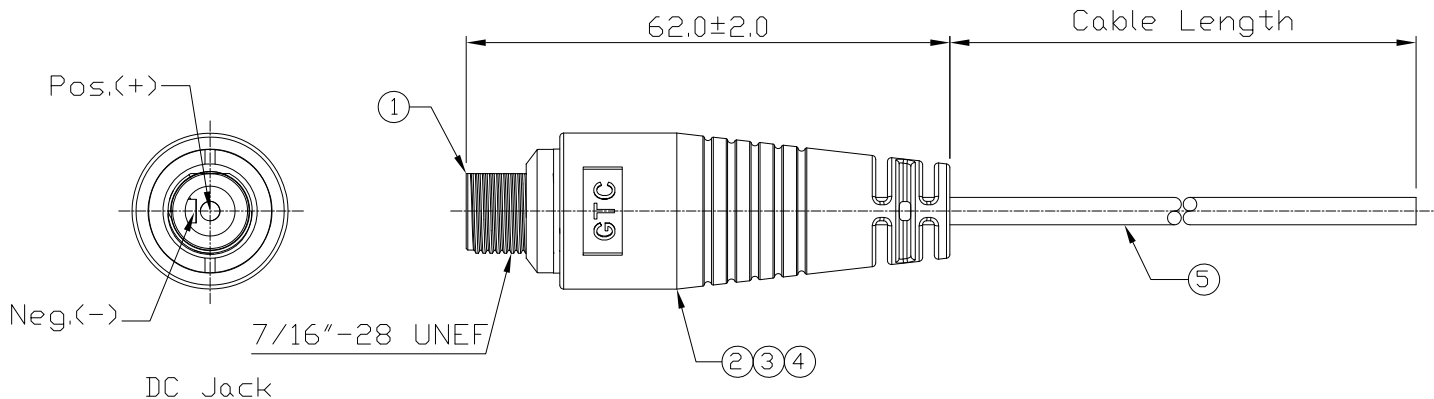
3

4

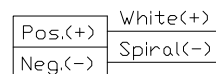
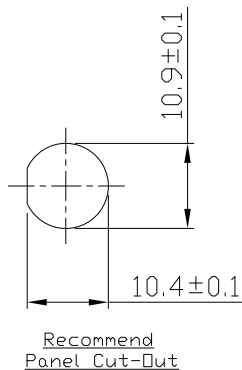
REV	ECN#	DESCRIPTION OF REVISION	DRAW BY DATE	CHECK BY DATE	APPROVE BY DATE
A0		Mass Production	Lucas 05/14/15	Ray 05/14/15	Ray 05/14/15

Notes: (Unless Otherwise Specified)
 1. Waterproof Rate: IP67.
 2. Recommend Panel Thickness: 0.8 to 2.0 mm.
 3. Recommend Torque: 6.0~7.0 Kgf-cm.
 4. Mating Cap P/N: GT1C5131X2.
 5. RoHS Compliant.

GTC
 DOC.CENTER.ISSUE
 APR.27.2017
 ONLY FOR
 RELEASE



GT1B0400-10(S)	10000 mm	±500
GT1B0400-09(S)	9000 mm	±450
GT1B0400-08(S)	8000 mm	±400
GT1B0400-07(S)	7000 mm	±150
GT1B0400-06(S)	6000 mm	±150
GT1B0400-05(S)	5000 mm	±150
GT1B0400-04(S)	4000 mm	±150
GT1B0400-03(S)	3000 mm	±100
GT1B0400-02(S)	2000 mm	±100
GT1B0400-01(S)	1000 mm	±50
GT1B0400-Z9(S)	900 mm	±40
GT1B0400-Z8(S)	800 mm	±40
GT1B0400-Z7(S)	700 mm	±40
GT1B0400-Z6(S)	600 mm	±40
GT1B0400-Z5(S)	500 mm	±40
GT1B0400-Z4(S)	400 mm	±20
GT1B0400-Z3(S)	300 mm	±20
GT1B0400-Z2(S)	200 mm	±10
Part No.	Cable Length	Tol.



5	Cable	UL1185 18AWG*1C+Spiral, DD=3.5mm Color: Black	1
4	Over Mold	PVC Color: Black	1
3	Inner Mold	Thermoplastic Color: White or Black	1
2	Shrink Tube	L=20mm Color: Black	2
1	DC Jack Panel	GT Contact P/N: GT1B0102(S)	1
Item	Part Name	Material / Finish	Q'ty

TITLE DC Jack C to C With Cable						DRAWING NUMBER GT1B0400-XX(S)			REV. A0	
THIRD ANGLE PROJECTION	SIZE B	SCALE 1:1	DRAW / DATE Lucas 05/14/15	CHECK / DATE Ray 05/14/15	APPROVE / DATE Ray 05/14/15	TOLERANCES X.X ± 0.5 X.XXX ± 0.05 X.XX ± 0.2 ANGLES ± 1°		UNIT mm	SHEET 1/1	

GT Contact CO.,LTD
 NOTICE OF PROPRIETARY PROPERTY:
 THE INFORMATION CONTAINED HEREIN IS THE PROPRIETARY PROPERTY OF GT Contact CO.,LTD THE POSSESSOR AGREES TO THE FOLLOWING:
 (a) TO MAINTAIN THIS DOCUMENT IN CONFIDENCE
 (b) NOT TO REPRODUCE OR COPY IT
 (c) NOT TO REVEAL OR PUBLISH IT IN WHOLE OR PART
 (d) ALL RIGHTS RESERVED

1

2

3

4