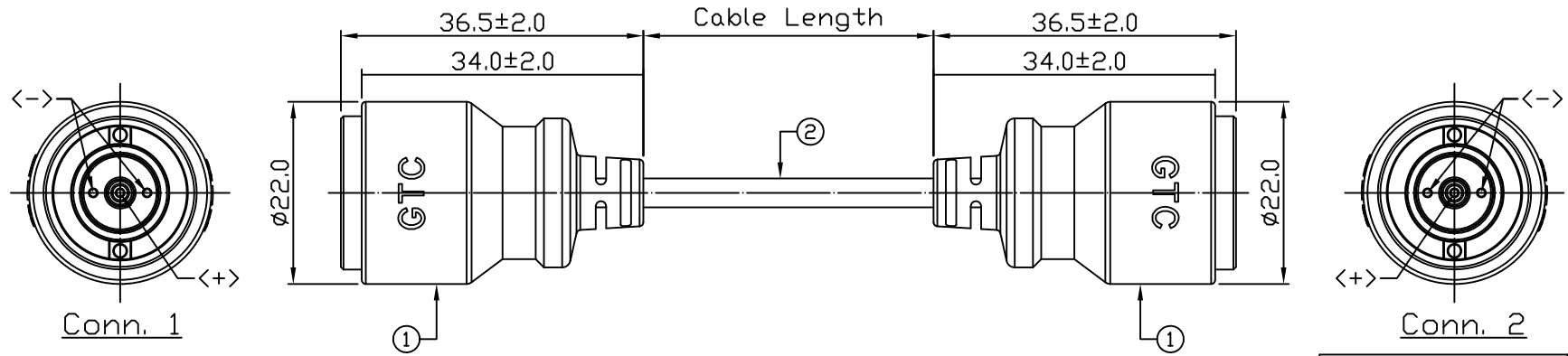


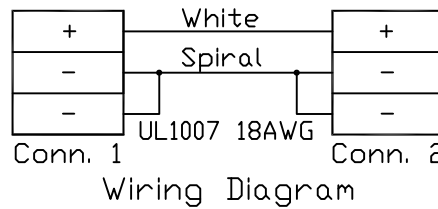
Notes: (Unless Otherwise Specified)

- DWV: 500 Vrms.
- Rated Voltage: 30V AC/DC.
- Insulation Resistance: 100 MΩ MIN.
- RoHS Compliant.

REV	ECN#	DESCRIPTION OF REVISION	DRAW BY DATE	CHECK BY DATE	APPROVE BY DATE
01			Aileen 07/13/22	Lucas 07/13/22	Ray 07/13/22



GTC  
 DOC.CENTER.ISSUE  
 JUL.14.2022  
 ONLY FOR  
 RELEASE



GT1931A0-02021-10	10000mm	+500
GT1931A0-02021-09	9000mm	+450
GT1931A0-02021-08	8000mm	+400
GT1931A0-02021-07	7000mm	+150
GT1931A0-02021-06	6000mm	+150
GT1931A0-02021-05	5000mm	+150
GT1931A0-02021-04	4000mm	+150
GT1931A0-02021-03	3000mm	+100
GT1931A0-02021-02	2000mm	+100
GT1931A0-02021-01	1000mm	+50
GT1931A0-02021-Z9	900mm	+50
GT1931A0-02021-Z8	800mm	+50
GT1931A0-02021-Z7	700mm	+50
GT1931A0-02021-Z6	600mm	+50
GT1931A0-02021-Z5	500mm	+50
GT1931A0-02021-Z4	400mm	+50
GT1931A0-02021-Z3	300mm	+25
GT1931A0-02021-Z2	200mm	+25
GT1931A0-02021-Z1	100mm	+25

Item	Part Name	Material / Finish	Q'ty
2	Cable	UL1185 18AWG*1C+Spiral ØD=3.5mm, Color: Black	1
1	Magnetic 5A 2 Contacts Cable End	GT Contact P/N: GT193110-0202X	2

Part No.	Cable Length	Tol.
GT Contact CO.,LTD		
NOTICE OF PROPRIETARY PROPERTY: THE INFORMATION CONTAINED HEREIN IS THE PROPRIETARY PROPERTY OF GT Contact CO.,LTD THE POSSESSOR AGREES TO THE FOLLOWING: (O) TO MAINTAIN THIS DOCUMENT IN CONFIDENCE (R) NOT TO REPRODUCE OR COPY IT (D) NOT TO REVEAL OR PUBLISH IT IN WHOLE OR PART (A) ALL RIGHTS RESERVED		

TITLE						DRAWING NUMBER			REV.	
Dual 5A 2 Contacts Cable End						GT1931A0-02021-XX			01	
THIRD ANGLE PROJECTION	SIZE	SCALE	DRAW / DATE	CHECK / DATE	APPROVE / DATE	X.X ± 0.5	X.XXX ± 0.05	mm	1/1	
						TOLERANCES			UNIT SHEET	