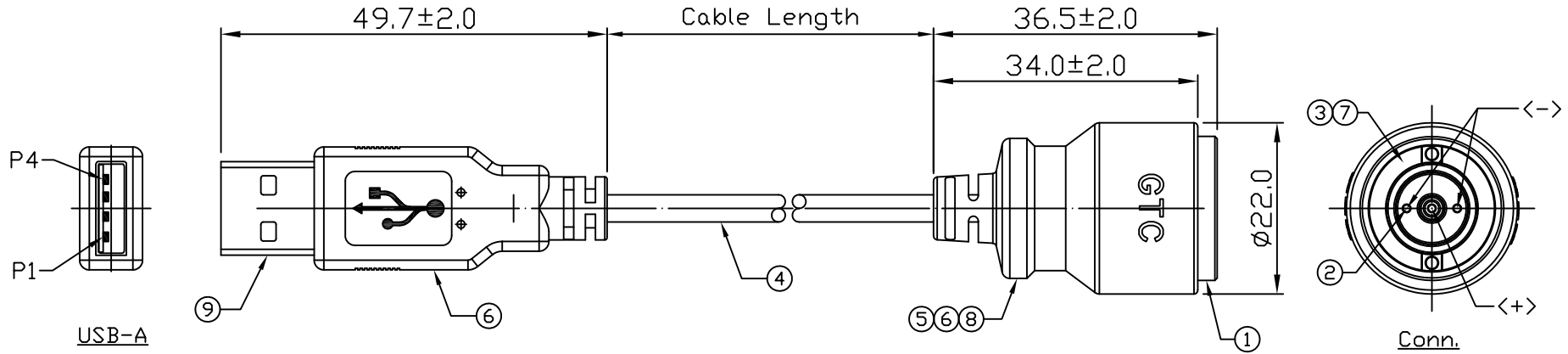


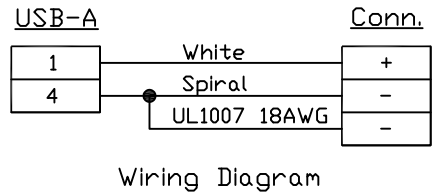
Notes: (Unless Otherwise Specified)

1. RoHS Compliant.

REV	ECN#	DESCRIPTION OF REVISION	DRAW BY DATE	CHECK BY DATE	APPROVE BY DATE
01			Jenny 02/25/22	Lucas 02/25/22	Ray 02/25/22



Item	Part Name	Material / Finish	Qty
9	USB-A Plug	Housing: Thermoplastic, Color: Black Contacts: Copper Alloy, Finish: Au Plated Shell: Cold Roll Steel, Finish: Ni Plated	1
8	Wire	UL1007 18AWG Color: Black	1
7	Steel Sheet	SUS430 Finish: -	2
6	Over Mold	PVC Color: Black	2
5	Inner Mold	Thermoplastic Color: White or Black	1
4	Cable	UL1185 18AWG*1C+Spiral OD=3.5mm, Color: Black	1
3	Magnet	Nd-Fe-B N50 Finish: Ni	2
2	Contacts	Copper Alloy Finish: Au Plated	3
1	Housing	Thermoplastic Color: Black	1



Part No.	Cable Length	Tol.
GT193110-02022-10	1000mm	+500
GT193110-02022-09	900mm	+450
GT193110-02022-08	800mm	+400
GT193110-02022-07	700mm	+150
GT193110-02022-06	600mm	+150
GT193110-02022-05	500mm	+150
GT193110-02022-04	400mm	+150
GT193110-02022-03	300mm	+100
GT193110-02022-02	200mm	+100
GT193110-02022-01	1000mm	+50
GT193110-02022-Z9	900mm	+50
GT193110-02022-Z8	800mm	+50
GT193110-02022-Z7	700mm	+50
GT193110-02022-Z6	600mm	+50
GT193110-02022-Z5	500mm	+50
GT193110-02022-Z4	400mm	+50
GT193110-02022-Z3	300mm	+25
GT193110-02022-Z2	200mm	+25

GT Contact CO.,LTD

NOTICE OF PROPRIETARY PROPERTY:
THE INFORMATION CONTAINED HEREIN IS THE PROPRIETARY PROPERTY OF GT Contact CO.,LTD THE POSSESSOR AGREES TO THE FOLLOWING:
 (1) TO MAINTAIN THIS DOCUMENT IN CONFIDENCE
 (2) NOT TO REPRODUCE OR COPY IT
 (3) NOT TO REVEAL OR PUBLISH IT IN WHOLE OR PART
 (4) ALL RIGHTS RESERVED

TITLE 5A 2 Contacts Cable End With Cable + USB-A Plug			DRAWING NUMBER GT193110-02022-XX			REV. 01			
THIRD ANGLE PROJECTION	SIZE B	SCALE 1:1	DRAW / DATE Jenny 02/25/22	CHECK / DATE Lucas 02/25/22	APPROVE / DATE Ray 02/25/22	TOLERANCES X.X ± 0.5 X.XX ± 0.2	ANGLES X.XXX ± 0.05 ANGLES ± 1°	UNIT mm	SHEET 1/1