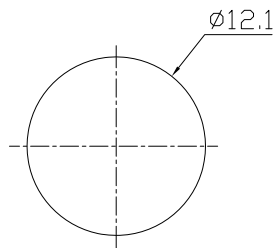
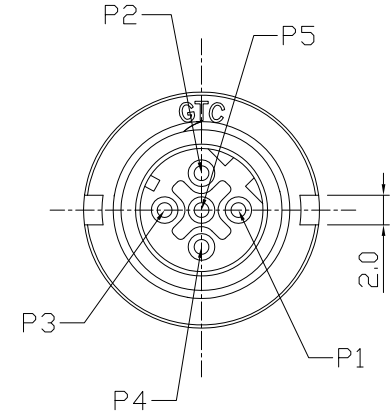
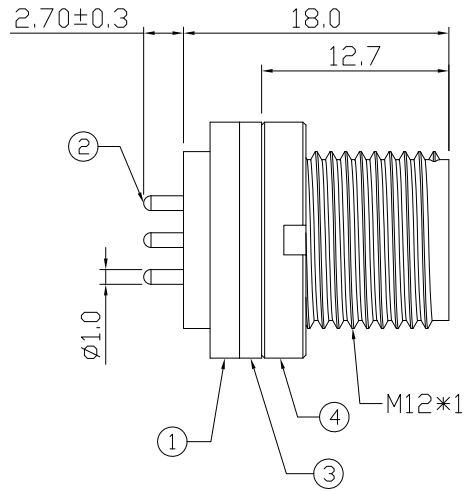
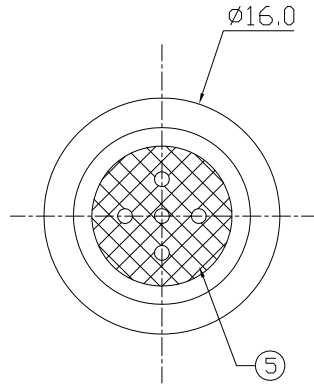


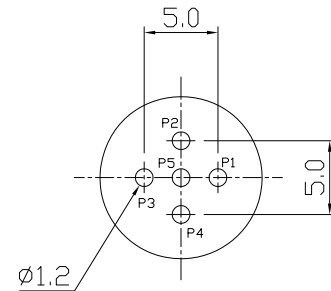
Notes: (Unless Otherwise Specified)

1. WaterProof Rate : IP68
2. Recommend Panel Thickness: 0.8 to 3.5mm
3. Recommend Torque: 9~10 Kgf-cm
4. RoHS Compliant.

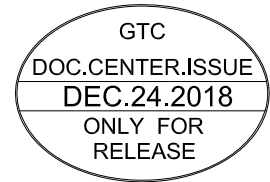
REV	ECN#	DESCRIPTION OF REVISION	DRAW BY DATE	CHECK BY DATE	APPROVE BY DATE
01			Lucas 12/24/18	Lucas 12/24/18	Ray 12/24/18



Recommend  
Panel Cut-Out



Recommend PCB Layout



Item	Part Name	Material / Finish	Q'ty
5	Glue	Epoxy Color: Black	
4	Spanner Nut	Thermoplastic Color: Black	1
3	Gasket	NBR Color: Black	1
2	Contacts	Copper Alloy Finish: Au Plated	5
1	Housing	Thermoplastic Color: Black	1

TITLE						DRAWING NUMBER			REV.		
M12 D-Coding Plastic 4A 5P Panel Male Dip With Spanner Nut						GT171410-11050(S)			01		
	B	1:1	Lucas 12/24/18	Lucas 12/24/18	Ray 12/24/18	X.X X.XX	± 0.5 ± 0.2	X.XXX ANGLES	± 0.05 ± 1°	mm	1/1
THIRD ANGLE PROJECTION	SIZE	SCALE	DRAW / DATE	CHECK / DATE	APPROVE / DATE	TOLERANCES		UNIT	SHEET		

GT Contact CO.,LTD

NOTICE OF PROPRIETARY PROPERTY:  
THE INFORMATION CONTAINED HEREIN IS THE PROPRIETARY PROPERTY OF GT Contact CO.,LTD THE POSSESSOR AGREES TO THE FOLLOWING:  
(i) TO MAINTAIN THIS DOCUMENT IN CONFIDENCE  
(ii) NOT TO REPRODUCE OR COPY IT  
(iii) NOT TO REVEAL OR PUBLISH IT IN WHOLE OR PART  
(iv) ALL RIGHTS RESERVED