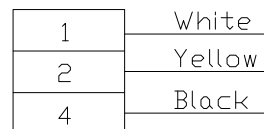
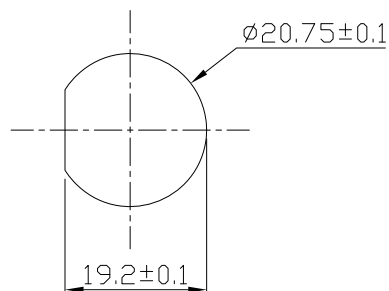
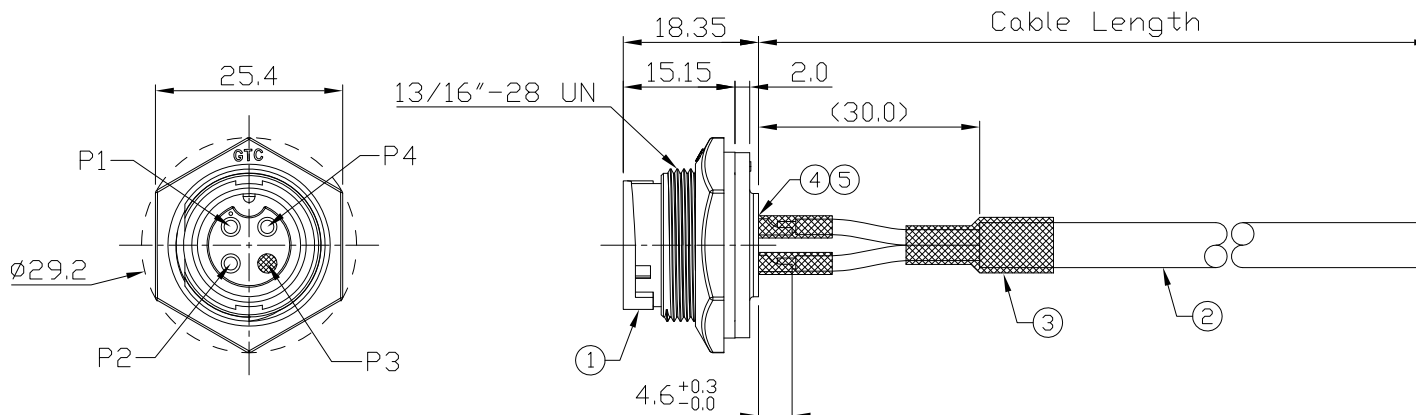


Notes: (Unless Otherwise Specified)

- 1. Waterproof Rate : IP67.
- 2. Recommend Panel Thickness: 0.8 to 4.0 mm.
- 3. Recommend Torque: 14.0~15.0 Kgf-cm.
- 4. Mating Cap P/N: GT1C5321X2.
- 5. RoHS Compliant.

REV	ECN#	DESCRIPTION OF REVISION	DRAW BY DATE	CHECK BY DATE	APPROVE BY DATE
A0			Hank 09/17/20	Lucas 09/17/20	Ray 09/17/20



Recommend Panel Cut-Out

GT153200-03031-10	10000mm	+500
GT153200-03031-09	9000mm	+450
GT153200-03031-08	8000mm	+400
GT153200-03031-07	7000mm	+150
GT153200-03031-06	6000mm	+150
GT153200-03031-05	5000mm	+150
GT153200-03031-04	4000mm	+150
GT153200-03031-03	3000mm	+100
GT153200-03031-02	2000mm	+100
GT153200-03031-01	1000mm	+50
GT153200-03031-Z9	900mm	+50
GT153200-03031-Z8	800mm	+50
GT153200-03031-Z7	700mm	+50
GT153200-03031-Z6	600mm	+50
GT153200-03031-Z5	500mm	+50
GT153200-03031-Z4	400mm	+50
GT153200-03031-Z3	300mm	+25
GT153200-03031-Z2	200mm	+25

Part No.	Cable Length	Tol.
----------	--------------	------

5	Glue	Epoxy Color: Black	
4	Shrink Tube	L=10mm Color: Black	3
3	Shrink Tube	L=20mm Color: Black	1
2	Cable	UL2464 16AWG*3C OD=6.1mm, Color: Black	1
1	C3 10A 3P Panel Female Solder Lock	GT Contact P/N: GT153200-03030	1
Item	Part Name	Material / Finish	Qty

GT Contact CO.,LTD

NOTICE OF PROPRIETARY PROPERTY:
 THE INFORMATION CONTAINED HEREIN IS THE PROPRIETARY PROPERTY OF GT Contact CO.,LTD THE POSSESSOR AGREES TO THE FOLLOWING:
 (A) TO MAINTAIN THIS DOCUMENT IN CONFIDENCE
 (B) NOT TO REPRODUCE OR COPY IT
 (C) NOT TO REVEAL OR PUBLISH IT IN WHOLE OR PART
 (D) ALL RIGHTS RESERVED

TITLE						DRAWING NUMBER			REV.
C3 10A 3P Panel Female Solder Lock With Cable						GT153200-03031-XX			A0
	B	1:1	Hank 09/17/20	Lucas 09/17/20	Ray 09/17/20	X.X ± 0.5 X.XX ± 0.2	X.XXX ± 0.05 ANGLES ± 1°	mm	1/1
THIRD ANGLE PROJECTION	SIZE	SCALE	DRAW / DATE	CHECK / DATE	APPROVE / DATE	TOLERANCES		UNIT	SHEET