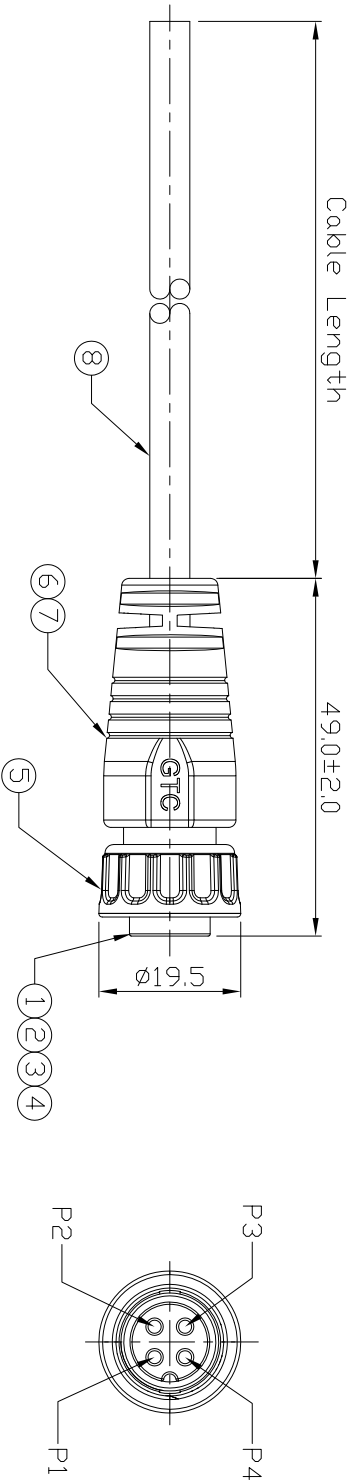


Notes: (unless otherwise specified)  
 1. Waterproof Rate : IP67.  
 2. ROHS Compliance.

REV	ECN#	DESCRIPTION OF REVISION	DRAW BY DATE	CHECK BY DATE	APPROVE BY DATE
01			Vicky 04/13/11	Lucas 04/13/11	Roy 04/13/11
02	CH-110702	Modify Cable 16AWG $\Delta$	Vicky 07/14/11	Lucas 07/14/11	Roy 07/14/11



GTC  
 R&D DEPT. ISSUE  
 JUL.19.2011  
 ONLY FOR  
 RELEASE

Wiring Diagram	Color
1	Black
2	Brown
3	Red
4	Orange

Item	Part Name	Material / Finish	Qty
1	Housing	Thermal Plastic Color: Black	1
2	Contacts	Copper Alloy Finish: Au Plated	4
3	O-Ring	Silicone Color: Red	1
4	Base	Thermal Plastic Color: Black	1
5	Screw Nut	Thermal Plastic Color: Black	1
6	Inner Mold	Thermal Plastic Color: White or Black	1
7	Over Mold	PVC Color: Black	1
8	Cable	UL2464 16AWG*4C DD=7.0mm, Color: Black	1

TITLE  
 C2 10A 4P Cable End Female Screw

THIRD ANGLE PROJECTION	SIZE	SCALE	DRAW / DATE	CHECK / DATE	APPROVE / DATE	DRAWING NUMBER	REV.
	B	1:1	Vicky 04/13/11	Lucas 04/13/11	Roy 04/13/11	G1152324-23041-XX	02

G1152324-23041-10	10000 mm	±500
G1152324-23041-09	9000 mm	±450
G1152324-23041-08	8000 mm	±400
G1152324-23041-07	7000 mm	±350
G1152324-23041-06	6000 mm	±300
G1152324-23041-05	5000 mm	±250
G1152324-23041-04	4000 mm	±200
G1152324-23041-03	3000 mm	±150
G1152324-23041-02	2000 mm	±100
G1152324-23041-01	1000 mm	±50
G1152324-23041-Z9	900 mm	±40
G1152324-23041-Z5	500 mm	±40
G1152324-23041-Z3	300 mm	±40
Part No.	Cable Length	Tol.

GT Contact CD, LTD  
 NOTICE OF PROPRIETARY PROPERTY:  
 THE INFORMATION CONTAINED HEREIN IS THE PROPRIETARY PROPERTY OF GT Contact CD, LTD. THE POSSESSOR AGREES TO THE FOLLOWING:  
 1. TO MAINTAIN THIS DOCUMENT IN CONFIDENCE  
 2. NOT TO REPRODUCE OR COPY IT  
 3. NOT TO REVEAL OR PUBLISH IT IN WHOLE OR PART  
 4. ALL RIGHTS RESERVED

