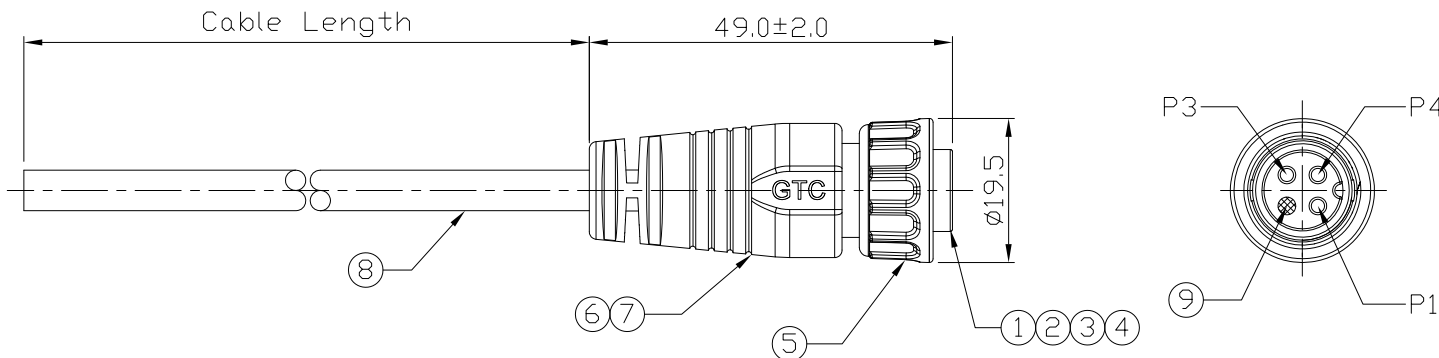


Notes: (Unless Otherwise Specified)

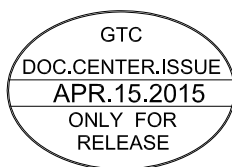
1. Waterproof Rate: IP67.
2. RoHS Compliant.

| REV | ECN# | DESCRIPTION OF REVISION | DRAW BY DATE   | CHECK BY DATE  | APPROVE BY DATE |
|-----|------|-------------------------|----------------|----------------|-----------------|
| A0  |      | Mass Production         | Joyce 04/15/15 | Lucas 04/15/15 | Ray 04/15/15    |



|                   |          |      |
|-------------------|----------|------|
| GT152324-23031-10 | 10000 mm | ±500 |
| GT152324-23031-09 | 9000 mm  | ±450 |
| GT152324-23031-08 | 8000 mm  | ±400 |
| GT152324-23031-07 | 7000 mm  | ±150 |
| GT152324-23031-06 | 6000 mm  | ±150 |
| GT152324-23031-05 | 5000 mm  | ±150 |
| GT152324-23031-04 | 4000 mm  | ±150 |
| GT152324-23031-03 | 3000 mm  | ±150 |
| GT152324-23031-02 | 2000 mm  | ±100 |
| GT152324-23031-01 | 1000 mm  | ±50  |
| GT152324-23031-Z9 | 900 mm   | ±40  |
| GT152324-23031-Z8 | 800 mm   | ±40  |
| GT152324-23031-Z7 | 700 mm   | ±40  |
| GT152324-23031-Z6 | 600 mm   | ±40  |
| GT152324-23031-Z5 | 500 mm   | ±40  |
| GT152324-23031-Z4 | 400 mm   | ±20  |
| GT152324-23031-Z3 | 300 mm   | ±20  |
| GT152324-23031-Z2 | 200 mm   | ±10  |

| 9    | Gland Pin  | Thermoplastic<br>Color: Black             | 1    |
|------|------------|---|------|
| 8    | Cable      | UL2464 16AWG*3C<br>OD=6.1mm, Color: Black | 1    |
| 7    | Over Mold  | PVC<br>Color: Black                       | 1    |
| 6    | Inner Mold | Thermoplastic<br>Color: White or Black    | 1    |
| 5    | Screw Nut  | Thermoplastic<br>Color: Black             | 1    |
| 4    | Base       | Thermoplastic<br>Color: Black             | 1    |
| 3    | O-Ring     | Silicone<br>Color: Red                    | 1    |
| 2    | Contacts   | Copper Alloy<br>Finish: Au Plated         | 3    |
| 1    | Housing    | Thermoplastic<br>Color: Black             | 1    |
| Item | Part Name  | Material / Finish                         | Q'ty |



|   |        |
|---|--------|
| 1 | Black  |
| 3 | Yellow |
| 4 | White  |

Wiring Diagram

| Part No. | Cable Length | Tol. |
|----------|--------------|------|
|          |              |      |

GT Contact CO.,LTD

NOTICE OF PROPRIETARY PROPERTY:  
THE INFORMATION CONTAINED HEREIN IS THE PROPRIETARY PROPERTY OF GT Contact CO.,LTD THE POSSESSOR AGREES TO THE FOLLOWING:  
(a) TO MAINTAIN THIS DOCUMENT IN CONFIDENCE  
(b) NOT TO REPRODUCE OR COPY IT  
(c) NOT TO REVEAL OR PUBLISH IT IN WHOLE OR PART  
(d) ALL RIGHTS RESERVED

| TITLE                            |      |       |                |                |                | DRAWING NUMBER          |                             |      | REV.  |
|----------------------------------|------|-------|----------------|----------------|----------------|-------------------------|-----------------------------|------|-------|
| C2 10A 3P Cable End Female Screw |      |       |                |                |                | GT152324-23031-XX       |                             |      | A0    |
|                                  | B    | 1:1   | Joyce 04/15/15 | Lucas 04/15/15 | Ray 04/15/15   | X.X ± 0.5<br>X.XX ± 0.2 | X.XXX ± 0.05<br>ANGLES ± 1° | mm   | 1/1   |
| THIRD ANGLE PROJECTION           | SIZE | SCALE | DRAW / DATE    | CHECK / DATE   | APPROVE / DATE | TOLERANCES              |                             | UNIT | SHEET |