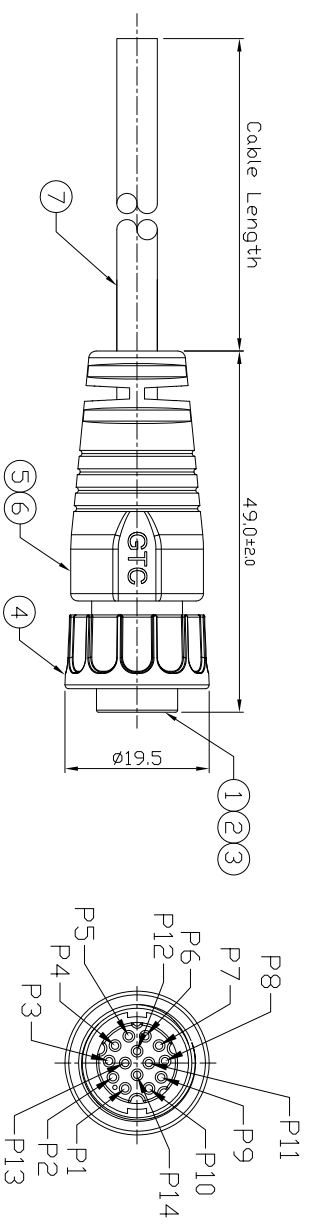


Notes: (Unless Otherwise Specified)
 1. Waterproof Rate: IP67.
 2. RoHS Compliant.

| REV | ECN# | DESCRIPTION OF REVISION | DRAW BY DATE | CHECK BY DATE | APPROVE BY DATE |
|-----|------|-------------------------|----------------|----------------|-----------------|
| 01 | | | Joyce 04/22/13 | Lucas 04/22/13 | Roy 04/22/13 |



GTC
 R&D DEPT. ISSUE
 APR.22.2013
 ONLY FOR
 RELEASE

| Pin No. | Color |
|---------|-------------|
| 1 | Black |
| 2 | Brown |
| 3 | Red |
| 4 | Orange |
| 5 | Yellow |
| 6 | Green |
| 7 | Blue |
| 8 | Violet |
| 9 | Gray |
| 10 | White |
| 11 | Pink |
| 12 | Light Green |
| 13 | Black/White |
| 14 | Brown/White |

Wiring Diagram

| Item | Part Name | Material / Finish | Qty |
|------|------------|---|-----|
| 1 | Housing | Thermoplastic Color: Black | 1 |
| 2 | Contacts | Copper Alloy Finish: Au Plated | 14 |
| 3 | D-Ring | Silicone Color: Red | 1 |
| 4 | Screw Nut | Thermoplastic Color: Black | 1 |
| 5 | Inner Mold | Thermoplastic Color: White or Black | 1 |
| 6 | Over Mold | PVC Color: Black | 1 |
| 7 | Cable | UL2464 26AWG*14C+AL/My (UV) DD=6.5mm, Color: Black | 1 |

TITLE C2 2A 14P Cable End Female Screw

| THIRD ANGLE PROJECTION | SIZE | SCALE | DRAW / DATE | CHECK / DATE | APPROVE / DATE | DRAWING NUMBER | REV. |
|------------------------|------|-------|----------------|----------------|----------------|-------------------|------|
| 1 | B | 1:1 | Joyce 04/22/13 | Lucas 04/22/13 | Roy 04/22/13 | GT152324-21141-XX | 01 |

GT Contact CD,LTID

NOTICE OF PROPRIETARY PROPERTY:
 THE INFORMATION CONTAINED HEREIN IS THE PROPRIETARY PROPERTY OF GT Contact CO,LTID. THE POSSESSOR AGREES TO MAINTAIN THIS DOCUMENT IN CONFIDENCE AND NOT TO REPRODUCE, PUBLISH IT IN WHOLE OR PART (S) ALL RIGHTS RESERVED.