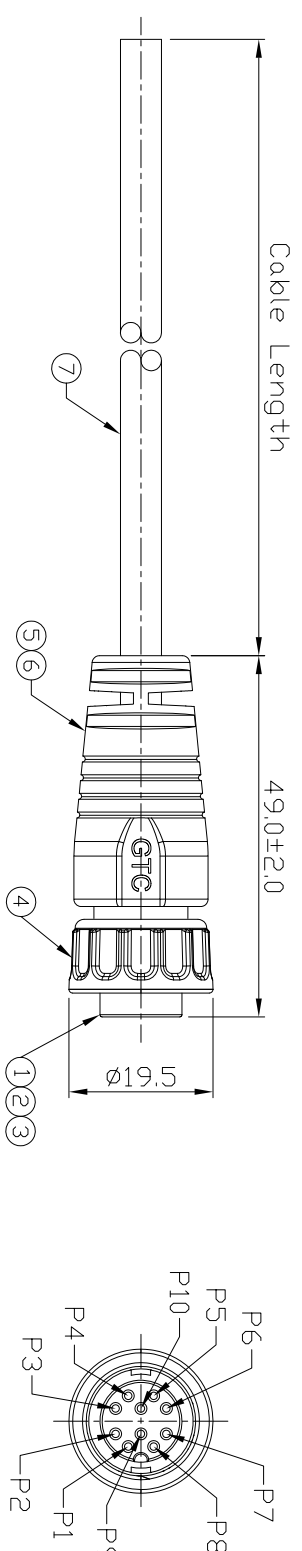


Notes: (Unless Otherwise Specified)  
 1. Waterproof Rate: IP67.  
 2. RoHS Compliant.

REV	ECN#	DESCRIPTION OF REVISION	DRAW BY DATE	CHECK BY DATE	APPROVE BY DATE
A0		Mass Production	Lucas 01/17/12	Roy 01/17/12	Roy 01/17/12



Item	Part Name	Material / Finish	QTY
8	Cable	UL2464 26AWG10C+D+A1/WY DD=6.0mm, Color:Black	1
7	Over Mold	PVC Color: Black	1
6	Inner Mold	Thermoplastic Color: White	1
5	Screw Nut	Thermoplastic Color: Black	1
4	Base	Thermoplastic Color: Black	1
3	D-Ring	Silicone Color: Red	1
2	Contacts	Copper Alloy Finish: Au Plated	10
1	Housing	Thermoplastic Color: Black	1

GTC  
 DOC CENTER ISSUE  
 JAN. 17 2012  
 ONLY FOR  
 RELEASE

Wiring Diagram	Color
1	Brown
2	Blue
3	White
4	Green
5	Yellow
6	Gray
7	Violet
8	Red
9	Black
10	Orange

Part No.	Cable Length	Tol.
G1152324-21101-10	10000 mm	±500
G1152324-21101-09	9000 mm	±450
G1152324-21101-08	8000 mm	±400
G1152324-21101-07	7000 mm	±350
G1152324-21101-06	6000 mm	±300
G1152324-21101-05	5000 mm	±250
G1152324-21101-04	4000 mm	±200
G1152324-21101-03	3000 mm	±150
G1152324-21101-02	2000 mm	±100
G1152324-21101-01	1000 mm	±50
G1152324-21101-29	900 mm	±45
G1152324-21101-28	800 mm	±40
G1152324-21101-27	700 mm	±35
G1152324-21101-26	600 mm	±30
G1152324-21101-25	500 mm	±25
G1152324-21101-24	400 mm	±20
G1152324-21101-23	300 mm	±15
G1152324-21101-22	200 mm	±10
G1152324-21101-21	100 mm	±10

TITLE C2 2A 10P Cable End Female Screw

DD NOT SCALE DRAWINGS	SIZE	SCALE	DRAW / DATE	CHECK / DATE	APPROVE / DATE	DRAWING NUMBER	REV.
B	1:1	Lucas 01/17/12	Roy 01/17/12	Roy 01/17/12		G1152324-21101-XX	A0

GT Contact CD,LTID  
 NOTICE OF PROPRIETARY PROPERTY  
 THE INFORMATION CONTAINED HEREIN IS THE PROPRIETARY PROPERTY OF GT Contact COLTD THE POSSESSOR ADDRESS TO THE FOLLOWING  
 © TO MAINTAIN THIS DOCUMENT IN CONFIDENCE  
 © NOT TO REPRODUCE OR TRANSMIT IN ANY FORM OR BY ANY MEANS  
 © ALL RIGHTS RESERVED