

1

2

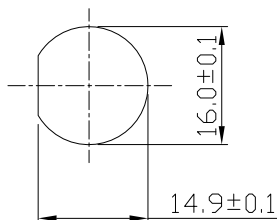
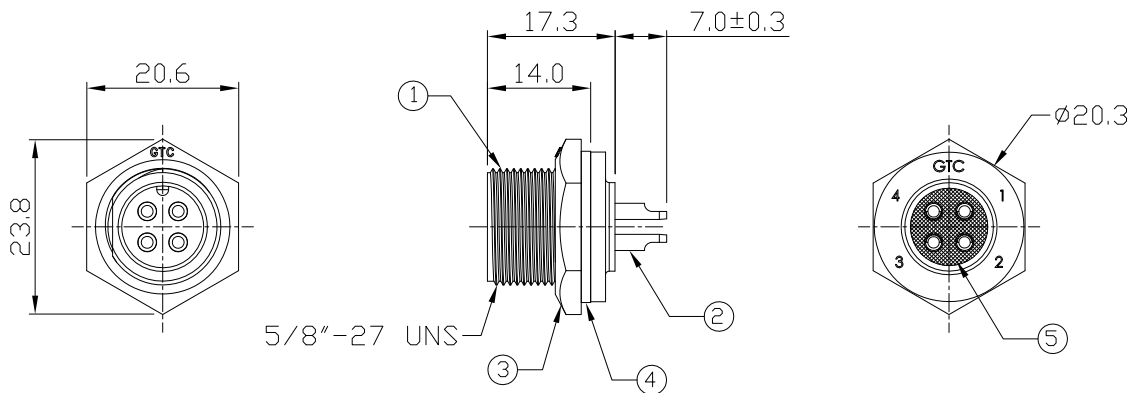
3

4

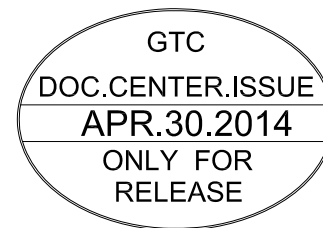
Notes: (Unless Otherwise Specified)

- 1. Waterproof Rate: IP67.
- 2. Recommend Panel Thickness: 0.8 to 4.0 mm.
- 3. Recommend Torque: 9~10 Kgf-cm.
- 4. RoHS Compliant.

REV	ECN#	DESCRIPTION OF REVISION	DRAW BY DATE	CHECK BY DATE	APPROVE BY DATE
A0	ECN-140417	Mass Production	Hank 04/22/14	Ray 04/22/14	Ray 04/22/14



Recommend Panel Cut-Out



Item	Part Name	Material / Finish	Q'ty
5	Glue	Epoxy Color: Black	
4	Gasket	Silicone Color: Black	1
3	Hex Nut	Thermoplastic Color: Black	1
2	Contacts	Copper Alloy Finish: Au Plated	4
1	Housing	Thermoplastic Color: Black	1

TITLE C2 10A 4P Panel Male Solder Screw					DRAWING NUMBER GT152310-03040			REV. A0	
--	--	--	--	--	----------------------------------	--	--	------------	--

THIRD ANGLE PROJECTION	SIZE B	SCALE 1:1	DRAW / DATE Joyce 09/15/11	CHECK / DATE Lucas 09/15/11	APPROVE / DATE Ray 09/15/11	TOLERANCES X.X ± 0.5 X.XX ± 0.2 X.XXX ± 0.05 ANGLES ± 1°	UNIT mm	SHEET 1/1	
------------------------	-----------	--------------	-------------------------------	--------------------------------	--------------------------------	--	------------	--------------	--

GT Contact CO.,LTD

NOTICE OF PROPRIETARY PROPERTY:  
THE INFORMATION CONTAINED HEREIN IS THE PROPRIETARY PROPERTY OF GT Contact CO.,LTD THE POSSESSOR AGREES TO THE FOLLOWING:  
(i) TO MAINTAIN THIS DOCUMENT IN CONFIDENCE  
(ii) NOT TO REPRODUCE OR COPY IT  
(iii) NOT TO REVEAL OR PUBLISH IT IN WHOLE OR PART  
(iv) ALL RIGHTS RESERVED

1

2

3

4