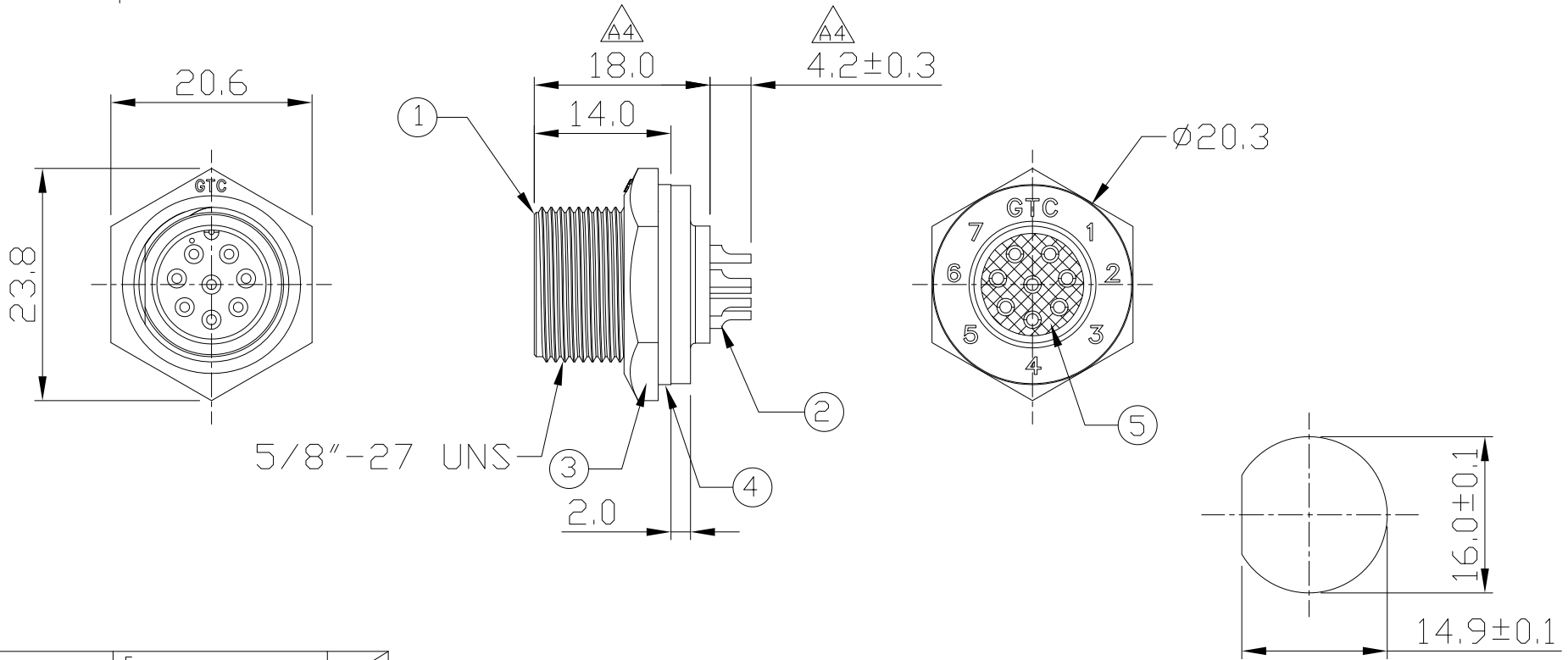


Notes: (Unless Otherwise Specified)

1. Waterproof Rate: IP67.
2. Recommend Panel Thickness: 0.8 to 4.0 mm.
3. Recommend Torque: 9~10 Kgf-cm.
4. Mating Cap P/N: GT1C5231X2
5. RoHS Compliant.

REV	ECN#	DESCRIPTION OF REVISION	DRAW BY DATE	CHECK BY DATE	APPROVE BY DATE
A4	ECN-181202	Design changes	Lucas 12/04/18	Lucas 12/04/18	Ray 12/04/18



5	Glue	Epoxy Color: Black	
4	Gasket	Silicone Color: Black	1
3	Hex Nut	Thermoplastic Color: Black	1
2	Contact	Copper Alloy Finish: Au Plated	8
1	Housing	Thermoplastic Color: Black	1
Item	Part Name	Material/Finish	Q'ty

GTC  
DOC.CENTER.ISSUE  
DEC.04.2018  
ONLY FOR  
RELEASE

Recommend  
Panel Cut-Out

TITLE						DRAWING NUMBER			REV.
C2 5A 8P Panel Male Solder Screw						GT152310-02080			A4
	B	1:1	Lucas 04/15/09	Ray 04/15/09	Ray 04/15/09	X.X X.XX	± 0.5 ± 0.2	X.XXX ANGLES ± 1°	mm 1/1
THIRD ANGLE PROJECTION	SIZE	SCALE	DRAW / DATE	CHECK / DATE	APPROVE / DATE	TOLERANCES		UNIT	SHEET

GT Contact CO.,LTD

NOTICE OF PROPRIETARY PROPERTY:

THE INFORMATION CONTAINED HEREIN IS THE PROPRIETARY PROPERTY OF GT Contact CO.,LTD THE POSSESSOR AGREES TO THE FOLLOWING:

(a) TO MAINTAIN THIS DOCUMENT IN CONFIDENCE  
 (b) NOT TO REPRODUCE OR COPY IT  
 (c) NOT TO REVEAL OR PUBLISH IT IN WHOLE OR PART  
 (d) ALL RIGHTS RESERVED