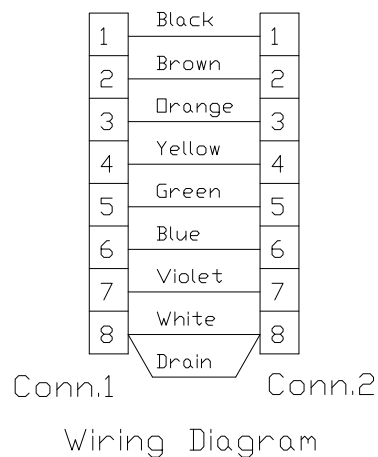
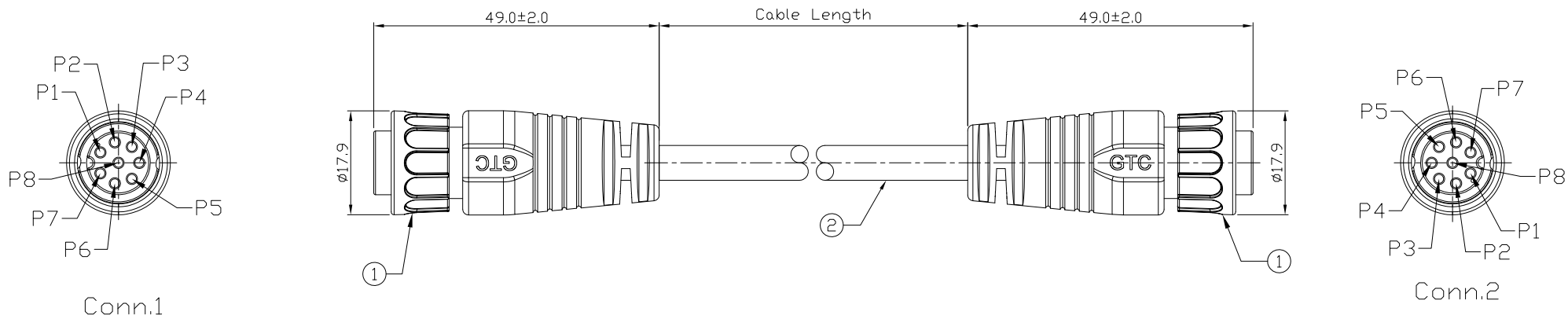


Notes: (Unless Otherwise Specified)

1. Waterproof Rate: IP67.
2. RoHS Compliant.

REV	ECN#	DESCRIPTION OF REVISION	DRAW BY DATE	CHECK BY DATE	APPROVE BY DATE
A0		Mass Production	Viola 02/21/18	Lucas 02/21/18	Ray 02/21/18



GT1522A4-22081-10	10000 mm	+500
GT1522A4-22081-09	9000 mm	+450
GT1522A4-22081-08	8000 mm	+400
GT1522A4-22081-07	7000 mm	+150
GT1522A4-22081-06	6000 mm	+150
GT1522A4-22081-05	5000 mm	+150
GT1522A4-22081-04	4000 mm	+150
GT1522A4-22081-03	3000 mm	+100
GT1522A4-22081-02	2000 mm	+100
GT1522A4-22081-01	1000 mm	+50
GT1522A4-22081-Z9	900 mm	+50
GT1522A4-22081-Z8	800 mm	+50
GT1522A4-22081-Z7	700 mm	+50
GT1522A4-22081-Z6	600 mm	+50
GT1522A4-22081-Z5	500 mm	+50
Part No.	Cable Length	Tol.

Item	Part Name	Material / Finish	Q'ty
2	Cable	UL2464 24AWG*8C+D+Al/My (UV) DD=5.5mm, Color:Black	1
1	C2 5A 8P Cable End Female Lock	GT Contact P/N: GT152224-22081-XX	2

TITLE						DRAWING NUMBER			REV.
C2 5A 8P Cable End Twin-head Female Lock With Cable						GT1522A4-22081-XX			A0
THIRD ANGLE PROJECTION	SIZE	SCALE	DRAW / DATE	CHECK / DATE	APPROVE / DATE	TOLERANCES	UNIT	SHEET	
	B	1:1	Viola 02/21/18	Lucas 02/21/18	Ray 02/21/18	X.X ± 0.5 X.XX ± 0.2	X.XXX ± 0.05 ANGLES ± 1°	mm 1/1	

GT Contact CO.,LTD

NOTICE OF PROPRIETARY PROPERTY:  
THE INFORMATION CONTAINED HEREIN IS THE PROPRIETARY PROPERTY OF GT CONTACT CO.,LTD THE POSSESSOR AGREES TO THE FOLLOWING:  
(i) TO MAINTAIN THIS DOCUMENT IN CONFIDENCE  
(ii) NOT TO REPRODUCE OR COPY IT  
(iii) NOT TO REVEAL OR PUBLISH IT IN WHOLE OR PART  
(iv) ALL RIGHTS RESERVED