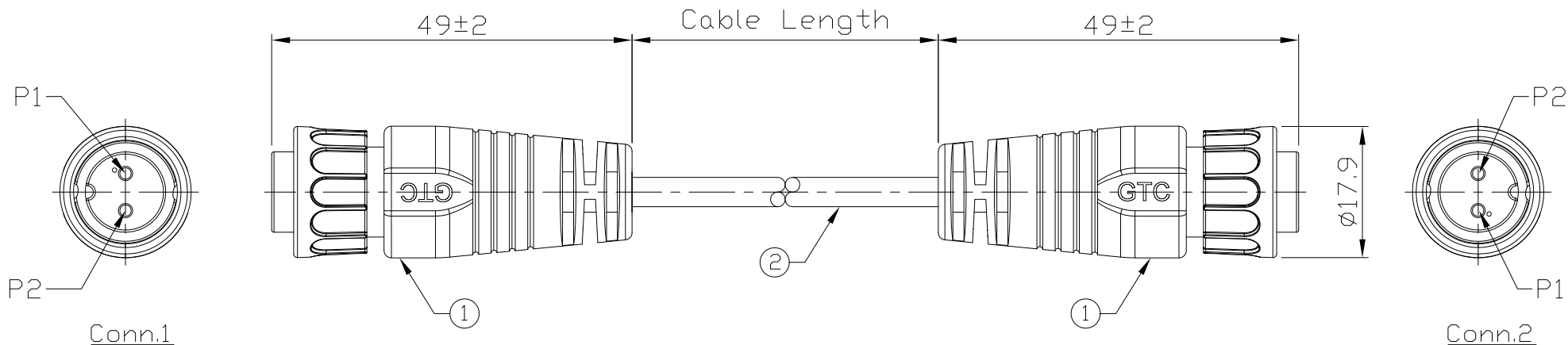
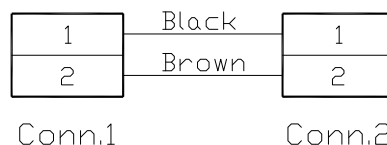


Notes: (Unless Otherwise Specified)  
 1. Waterproof Rate: IP67.  
 2. RoHS Compliant.

REV	ECN#	DESCRIPTION OF REVISION	DRAW BY DATE	CHECK BY DATE	APPROVE BY DATE
01			Aileen 09/08/20	Lucas 09/08/20	Ray 09/08/20



GTC  
 DOC.CENTER.ISSUE  
 SEP.08.2020  
 ONLY FOR  
 RELEASE



Wiring Diagram

GT1522A4-02021-10	10000 mm	+500
GT1522A4-02021-09	9000 mm	+450
GT1522A4-02021-08	8000 mm	+400
GT1522A4-02021-07	7000 mm	+150
GT1522A4-02021-06	6000 mm	+150
GT1522A4-02021-05	5000 mm	+150
GT1522A4-02021-04	4000 mm	+150
GT1522A4-02021-03	3000 mm	+100
GT1522A4-02021-02	2000 mm	+100
GT1522A4-02021-01	1000 mm	+50
GT1522A4-02021-Z9	900 mm	+50
GT1522A4-02021-Z8	800 mm	+50
GT1522A4-02021-Z7	700 mm	+50
GT1522A4-02021-Z6	600 mm	+50
GT1522A4-02021-Z5	500 mm	+50
GT1522A4-02021-Z4	400 mm	+50
GT1522A4-02021-Z3	300 mm	+25
GT1522A4-02021-Z2	200 mm	+25
Part No.	Cable Length	Tol.

Item	Part Name	Material / Finish	Q'ty
2	Cable	UL2464 24AWG*2C+D+Al/My DD=4.0mm, Color: Black	1
1	C2 5A 2P Cable End Female Lock	GT Contact PN: GT152224-02021	2

TITLE						DRAWING NUMBER			REV.
C2 5A 2P Cable End Twin-Head Female Lock						GT1522A4-02021-XX			01
THIRD ANGLE PROJECTION	SIZE	SCALE	DRAW / DATE	CHECK / DATE	APPROVE / DATE	TOLERANCES	UNIT	SHEET	
	B	1:1	Aileen 09/08/20	Lucas 09/08/20	Ray 09/08/20	X.X ± 0.5 X.XX ± 0.2	mm	1/1	
						X.XXX ± 0.05 ANGLES ± 1°			

GT Contact CO.,LTD

NOTICE OF PROPRIETARY PROPERTY:  
 THE INFORMATION CONTAINED HEREIN IS THE PROPRIETARY PROPERTY OF GT Contact CO.,LTD THE POSSESSOR AGREES TO THE FOLLOWING:  
 (a) TO MAINTAIN THIS DOCUMENT IN CONFIDENCE  
 (b) NOT TO REPRODUCE OR COPY IT  
 (c) NOT TO REVEAL OR PUBLISH IT IN WHOLE OR PART  
 (d) ALL RIGHTS RESERVED