


1

2

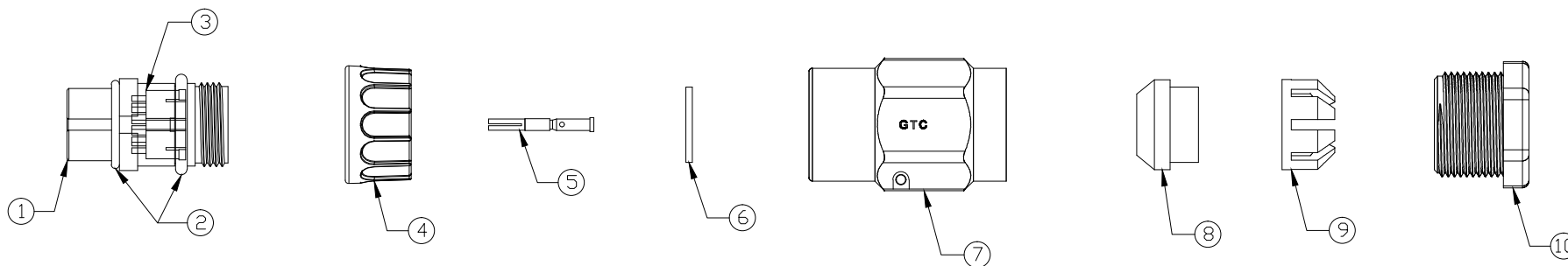
3

4

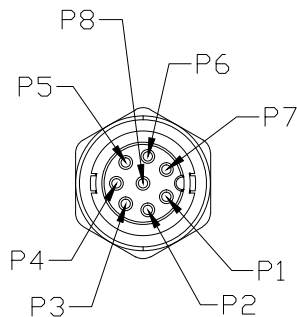
Notes: (Unless Otherwise Specified)

- 1. Waterproof Rate: IP67.
- 2. Recommend Cover Torque: 6~7 Kgf-cm.
- 3. Recommend Gland Nut Torque: 9~10 Kgf-cm.
- 4. Cable Diameter: 5.0mm To 6.0mm. 
- 5. RoHS Compliant.

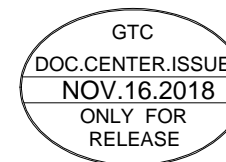
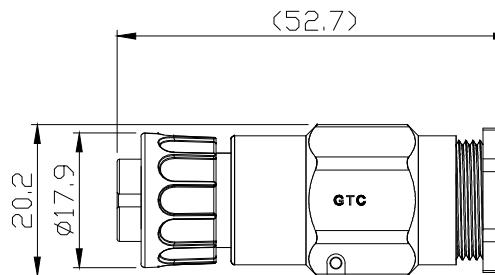
REV	ECN#	DESCRIPTION OF REVISION	DRAW BY DATE	CHECK BY DATE	APPROVE BY DATE
A1	ECN-181118	Cable Diameter: 5.0mm~7.0mm => 5.0mm~6.0mm	Whitney 11/14/18	Lucas 11/14/18	Ray 11/14/18



10	Gland Nut	Thermaoplastic Color: Black	1
9	Cage	Thermaoplastic Color: White	1
8	Gland	Silicone Color: Green	1
7	Cover	Thermaoplastic Color: Black	1
6	Gasket	Silicone Color: Black	1
5	Contacts	Copper Alloy, GTC P/NGT52C05-20010 Finish: Au Plated	8
4	Lock Nut	Thermaoplastic Color: Black	1
3	Base	Thermaoplastic Color: Black	1
2	D-Ring	Silicone Color: Red	2
1	Housing	Thermaoplastic Color: Black	1
Item	Part Name	Material / Finish	Q'ty



Pin Assignment

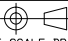


GT Contact CO.,LTD

NOTICE OF PROPRIETARY PROPERTY:

THE INFORMATION CONTAINED HEREIN IS THE PROPRIETARY PROPERTY OF GT Contact CO.,LTD THE POSSESSOR AGREES TO THE FOLLOWING:

- (i) TO MAINTAIN THIS DOCUMENT IN CONFIDENCE
- (ii) NOT TO REPRODUCE OR COPY IT
- (iii) NOT TO REVEAL OR PUBLISH IT IN WHOLE OR PART
- (iv) ALL RIGHTS RESERVED

TITLE						DRAWING NUMBER			REV.	
C2 5A 8P Field Installable Cable End Female Crimp Lock						GT152264-22080			A1	
	B	1:1	Karen 04/16/09	Robbie 04/16/09	Robbie 04/16/09	X.X ± 0.5	X.XXX ± 0.05	mm	1/1	
THIRD ANGLE PROJECTION	SIZE	SCALE	DRAW / DATE	CHECK / DATE	APPROVE / DATE	TOLERANCES		UNIT	SHEET	

1

2

3

4