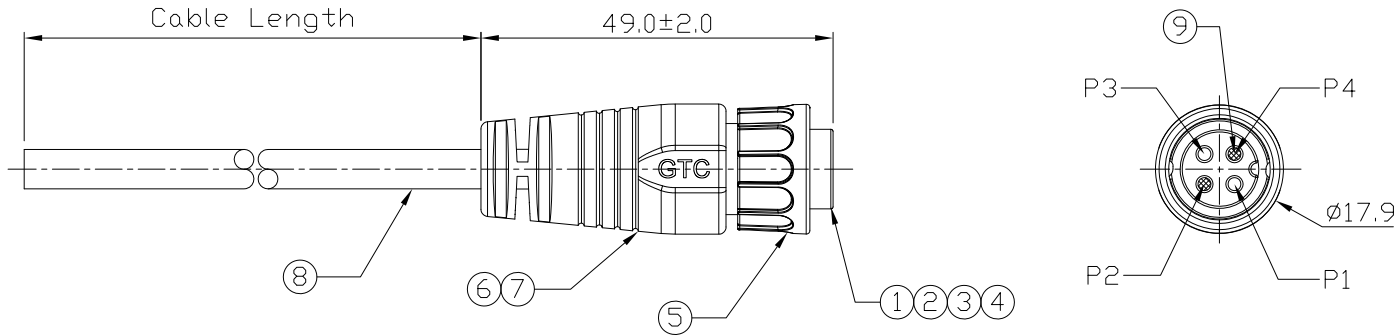


Notes: (Unless Otherwise Specified)

1. Waterproof Rate: IP67.
2. RoHS Compliant.

REV	ECN#	DESCRIPTION OF REVISION	DRAW BY DATE	CHECK BY DATE	APPROVE BY DATE
01			Lucas 09/30/14	Ray 09/30/14	Ray 09/30/14



9	Gland Pin	Thermoplastic Color: Black	2
8	Cable	UL2464 16AWG*2C, DD=6.0mm Color: Black	1
7	Over Mold	PVC Color: Black	1
6	Inner Mold	Thermoplastic Color: White Or Black	1
5	Lock Nut	Thermoplastic Color: Black	1
4	Base	Thermoplastic Color: Black	1
3	O-ring	Silicone Color: Red	1
2	Contacts	Copper Alloy Finish: Au Plated	2
1	Housing	Thermoplastic Color: Black	1
Item	Part Name	Material/Finish	Q'ty

1	Black
2	N/C
3	Red
4	N/C

Wiring Diagram



GT152224-23021-10	10000 mm	±500
GT152224-23021-09	9000 mm	±450
GT152224-23021-08	8000 mm	±400
GT152224-23021-07	7000 mm	±150
GT152224-23021-06	6000 mm	±150
GT152224-23021-05	5000 mm	±150
GT152224-23021-04	4000 mm	±150
GT152224-23021-03	3000 mm	±150
GT152224-23021-02	2000 mm	±100
GT152224-23021-01	1000 mm	±50
GT152224-23021-Z9	900 mm	±40
GT152224-23021-Z8	800 mm	±40
GT152224-23021-Z7	700 mm	±40
GT152224-23021-Z6	600 mm	±40
GT152224-23021-Z5	500 mm	±40
GT152224-23021-Z4	400 mm	±20
GT152224-23021-Z3	300 mm	±20
GT152224-23021-Z2	200 mm	±10
GT152224-23021-Z1	100 mm	±10

Part No.	Cable Length	Tol.
----------	--------------	------

TITLE						DRAWING NUMBER			REV.	
C2 10A 2P Cable End Female Lock						GT152224-23021-XX			01	
THIRD ANGLE PROJECTION	SIZE	SCALE	DRAW / DATE	CHECK / DATE	APPROVE / DATE	TOLERANCES		UNIT	SHEET	
	B	1:1	Lucas 09/30/14	Ray 09/30/14	Ray 09/30/14	XX ± 0.5 X.XX ± 0.2	X.XXX ± 0.05 ANGLES ± 1°	mm	1/1	

GT Contact CO.,LTD

NOTICE OF PROPRIETARY PROPERTY:
 THE INFORMATION CONTAINED HEREIN IS THE PROPRIETARY PROPERTY OF GT Contact CO.,LTD THE POSSESSOR AGREES TO THE FOLLOWING:
 (a) TO MAINTAIN THIS DOCUMENT IN CONFIDENCE
 (b) NOT TO REPRODUCE OR COPY IT
 (c) NOT TO REVEAL OR PUBLISH IT IN WHOLE OR PART
 (d) ALL RIGHTS RESERVED