

1

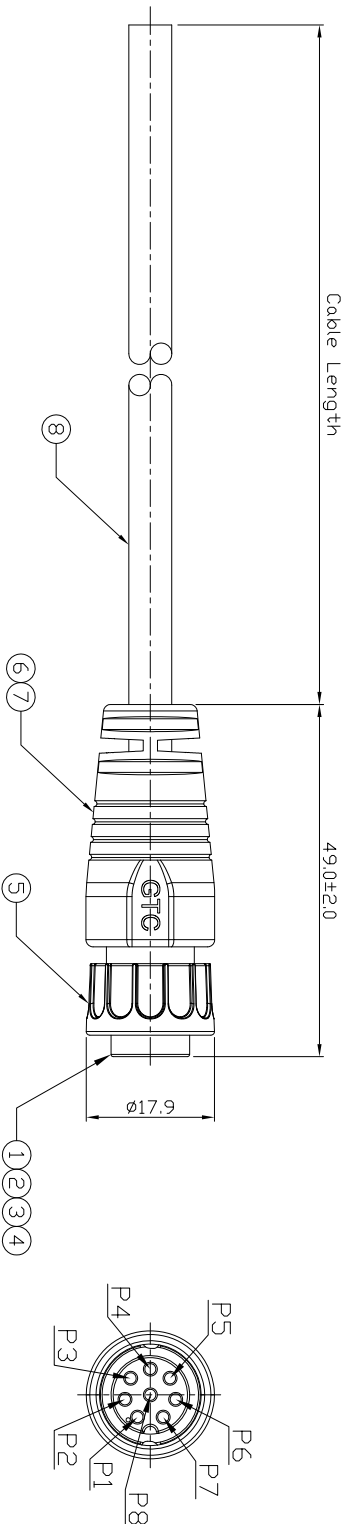
2

3

4

- Notes: (unless otherwise Specified)
1. Waterproof Rate: IP67.
 2. RoHS Compliance.

REV	ECN#	DESCRIPTION OF REVISION	DRAW BY DATE	CHECK BY DATE	APPROVE BY DATE
A0		Mass Production	Joyce 06/30/11	Lucas 06/30/11	Roy 06/30/11



Item	Part Name	Material / Finish	Qty
1	Housing	Thermal Plastic Color: Black	1
2	Base	Thermal Plastic Color: Black	1
3	Contacts	Copper Alloy Finish: Au Plated	8
4	O-Ring	Silicone Color: Red	1
5	Lock Nut	Thermal Plastic Color: Black	1
6	Inner Mold	Thermal Plastic Color: White or Black	1
7	Over Mold	PVC Color: Black	1
8	Cable	UL2464 24AWG*8C+D+AL/My (UV) DP=5.5mm, Color:Black	1

Wiring Diagram	Color
1	Black
2	Brown
3	Orange
4	Yellow
5	Green
6	Blue
7	Violet
8	Drain

Wiring Diagram

A C2 5A 8P Cable End Female Lock

TITLE	DRAWING NUMBER	REV.
C2 5A 8P Cable End Female Lock	GT152224-22081-XX	A0

THIRD ANGLE PROJECTION	SIZE	SCALE	DRAW / DATE	CHECK / DATE	APPROVE / DATE	TOLERANCES	UNIT	SHEET
1	B	1:1	Joyce 06/30/11	Lucas 06/30/11	Roy 06/30/11	XX ± 0.5 XXX ± 0.2	mm	1/1

A

B

B

C

C

D

D

GT Contact CO.,LTD

NOTICE OF PROPRIETARY PROPERTY:
 THE INFORMATION CONTAINED HEREIN IS THE PROPRIETARY PROPERTY OF GT CONTACT CO.,LTD. THE POSSESSOR AGREES TO THE FOLLOWING DOCUMENT IN CONFIDENCE
 (a) NOT TO REPRODUCE OR COPY IT
 (b) NOT TO REVEAL OR PUBLISH IT IN WHOLE OR PART
 (c) ALL RIGHTS RESERVED

1

2

3

4