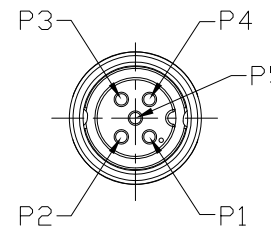
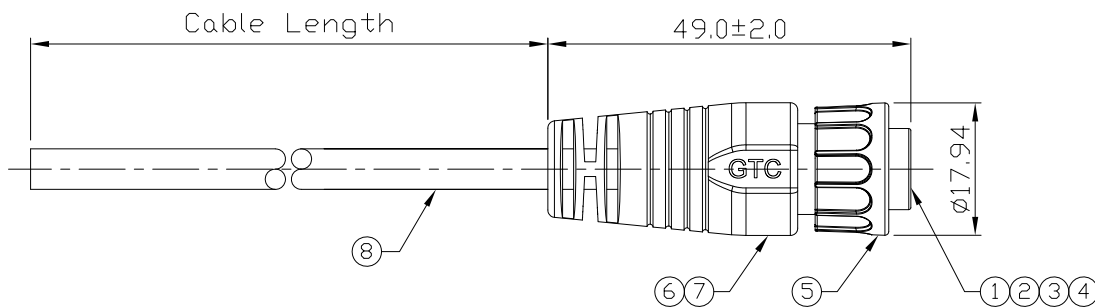


Notes: (Unless Otherwise Specified)
 1. Waterproof Rate: IP67.
 2. RoHS Compliant.

REV	ECN#	DESCRIPTION OF REVISION	DRAW BY DATE	CHECK BY DATE	APPROVE BY DATE
A0		Mass Production	Karen 10/02/15	Lucas 10/02/15	Ray 10/02/15



Part No.	Cable Length	Tol.
GT152224-22051-10	10000 mm	±500
GT152224-22051-09	9000 mm	±450
GT152224-22051-08	8000 mm	±400
GT152224-22051-07	7000 mm	±150
GT152224-22051-06	6000 mm	±150
GT152224-22051-05	5000 mm	±150
GT152224-22051-04	4000 mm	±150
GT152224-22051-03	3000 mm	±150
GT152224-22051-02	2000 mm	±100
GT152224-22051-01	1000 mm	±50
GT152224-22051-Z9	900 mm	±40
GT152224-22051-Z8	800 mm	±40
GT152224-22051-Z7	700 mm	±40
GT152224-22051-Z6	600 mm	±40
GT152224-22051-Z5	500 mm	±40
GT152224-22051-Z4	400 mm	±20
GT152224-22051-Z3	300 mm	±20
GT152224-22051-Z2	200 mm	±10

Item	Part Name	Material / Finish	Q'ty
8	Cable	UL2464 24AWG*5C+D+Al/My ØD=5.0mm, Color: Black	1
7	Over Mold	PVC Color: Black	1
6	Inner Mold	Thermoplastic Color: White Or Black	1
5	Lock Nut	Thermoplastic Color: Black	1
4	O-Ring	Silicone Color: Red	1
3	Contacts	Copper Alloy Finish: Au Plated	5
2	Base	Thermoplastic Color: Black	1
1	Housing	Thermoplastic Color: Black	1

GTC
 DOC.CENTER.ISSUE
 OCT.05.2015
 ONLY FOR
 RELEASE

1	Black
2	Brown
3	Red
4	Orange
5	Yellow
	Drain

Wiring Diagram

TITLE						DRAWING NUMBER			REV.	
C2 5A 5P Cable End Female Lock						GT152224-22051-XX			A0	
THIRD ANGLE PROJECTION	SIZE	SCALE	DRAW / DATE	CHECK / DATE	APPROVE / DATE	TOLERANCES		UNIT	SHEET	
	B	1:1	Karen 10/02/15	Lucas 10/02/15	Ray 10/02/15	X.X ± 0.5 X.XX ± 0.2	X.XXX ± 0.05 ANGLES ± 1°	mm	1/1	

GT Contact CO.,LTD

NOTICE OF PROPRIETARY PROPERTY:
 THE INFORMATION CONTAINED HEREIN IS THE PROPRIETARY PROPERTY OF GT CONTACT CO.,LTD THE POSSESSOR AGREES TO THE FOLLOWING:
 (a) TO MAINTAIN THIS DOCUMENT IN CONFIDENCE
 (b) NOT TO REPRODUCE OR COPY IT
 (c) NOT TO REVEAL OR PUBLISH IT IN WHOLE OR PART
 (d) ALL RIGHTS RESERVED