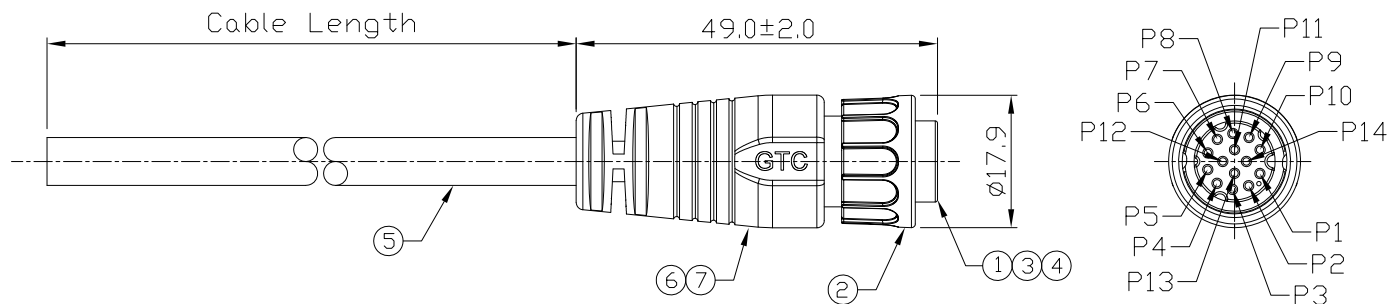


Notes: (Unless Otherwise Specified)

1. Waterproof Rate : IP67.
2. RoHS Compliant.

REV	ECN#	DESCRIPTION OF REVISION	DRAW BY DATE	CHECK BY DATE	APPROVE BY DATE
A1	ECN-160510	Modify Cable Specification $\Delta 1$	Joyce 05/26/16	Lucas 05/26/16	Ray 05/26/16



1	Black
2	Brown
3	Red
4	Orange
5	Yellow
6	Green
7	Blue
8	Violet
9	Gray
10	White
11	Pink
12	Light Green
13	Black/White
14	Brown/White

Part No.	Cable Length	Tol.
GT152224-21141-10	10000 mm	+500
GT152224-21141-09	9000 mm	+450
GT152224-21141-08	8000 mm	+400
GT152224-21141-07	7000 mm	+150
GT152224-21141-06	6000 mm	+150
GT152224-21141-05	5000 mm	+150
GT152224-21141-04	4000 mm	+150
GT152224-21141-03	3000 mm	+100
GT152224-21141-02	2000 mm	+100
GT152224-21141-01	1000 mm	+50
GT152224-21141-Z9	900 mm	+50
GT152224-21141-Z8	800 mm	+50
GT152224-21141-Z7	700 mm	+50
GT152224-21141-Z6	600 mm	+50
GT152224-21141-Z5	500 mm	+50
GT152224-21141-Z4	400 mm	+50
GT152224-21141-Z3	300 mm	+25
GT152224-21141-Z2	200 mm	+25
GT152224-21141-Z1	100 mm	+25

Item	Part Name	Material / Finish	Q'ty
7	Over Mold	PVC Color: Black	1
6	Inner Mold	Thermoplastic Color: White Or Black	1
5	Cable	UL2464 26AWG*14C+Al/My+D Color: Black (Oil Resistant), DD=6.0mm	1 $\Delta 1$
4	O-Ring	Silicone Color: Red	1
3	Contacts	Copper Alloy Finish: Au Plated	14
2	Lock Nut	Thermoplastic Color: Black	1
1	Housing	Thermoplastic Color: Black	1



Wiring Diagram

GT Contact CO.,LTD

NOTICE OF PROPRIETARY PROPERTY:
THE INFORMATION CONTAINED HEREIN IS THE PROPRIETARY PROPERTY OF GT CONTACT CO.,LTD THE POSSESSOR AGREES TO THE FOLLOWING:
(a) TO MAINTAIN THIS DOCUMENT IN CONFIDENCE
(b) NOT TO REPRODUCE OR COPY IT
(c) NOT TO REVEAL OR PUBLISH IT IN WHOLE OR PART
(d) ALL RIGHTS RESERVED

TITLE						DRAWING NUMBER			REV.
C2 2A 14P Cable End Female Lock						GT152224-21141-XX			A1
	B	1:1	Joyce 04/27/11	Lucas 04/27/11	Ray 04/27/11	X.X ± 0.5 X.XX ± 0.2	X.XXX ± 0.05 ANGLES ± 1°	mm	1/1
THIRD ANGLE PROJECTION	SIZE	SCALE	DRAW / DATE	CHECK / DATE	APPROVE / DATE	TOLERANCES		UNIT	SHEET