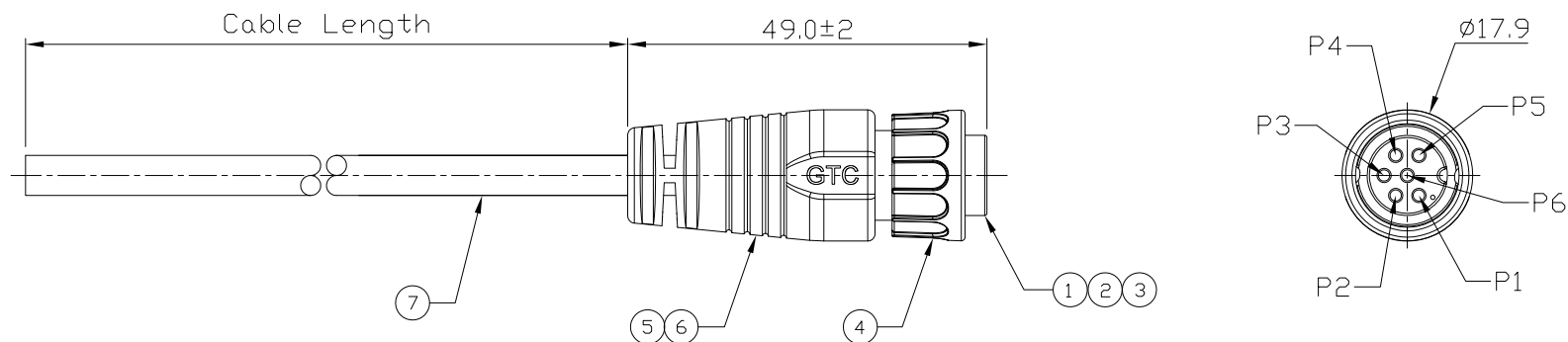
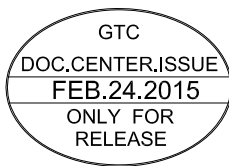


Notes: (Unless Otherwise Specified)
 1. Waterproof Rate: IP67.
 2. RoHS Compliant.

REV	ECN#	DESCRIPTION OF REVISION	DRAW BY DATE	CHECK BY DATE	APPROVE BY DATE
A0		Mass Production	Joyce 02/24/15	Lucas 02/24/15	Ray 02/24/15



Item	Part Name	Material / Finish	Q'ty
7	Cable	UL2464 24AWG*6C+D+Al/My DD=5.5mm, Color: Black	1
6	Over Mold	PVC Color: Black	1
5	Inner Mold	Thermoplastic Color: White Or Black	1
4	Lock Nut	Thermoplastic Color: Black	1
3	O-Ring	Silicone Color: Red	1
2	Contacts	Copper Alloy Finish: Au Plated	6
1	Housing	Thermoplastic Color: Black	1



1	Red
2	Yellow
3	Green
4	Orange
5	Brown
6	Black
	Drain

Wiring Diagram

GT152224-02061-10	10000 mm	±500
GT152224-02061-09	9000 mm	±450
GT152224-02061-08	8000 mm	±400
GT152224-02061-07	7000 mm	±150
GT152224-02061-06	6000 mm	±150
GT152224-02061-05	5000 mm	±150
GT152224-02061-04	4000 mm	±150
GT152224-02061-03	3000 mm	±150
GT152224-02061-02	2000 mm	±100
GT152224-02061-01	1000 mm	±50
GT152224-02061-Z9	900 mm	±40
GT152224-02061-Z8	800 mm	±40
GT152224-02061-Z7	700 mm	±40
GT152224-02061-Z6	600 mm	±40
GT152224-02061-Z5	500 mm	±40
GT152224-02061-Z4	400 mm	±20
GT152224-02061-Z3	300 mm	±20
GT152224-02061-Z2	200 mm	±10
Part No.	Cable Length	Tol.

TITLE						DRAWING NUMBER			REV.
C2 5A 6P Cable End Female Lock With Cable						GT152224-02061-XX			A0
	B	1:1	Karen 02/06/09	Robbie 02/06/09	Robbie 02/06/09	X.X ± 0.5 X.XX ± 0.2	X.XXX ± 0.05 ANGLES ± 1°	mm	1/1
THIRD ANGLE PROJECTION	SIZE	SCALE	DRAW / DATE	CHECK / DATE	APPROVE / DATE	TOLERANCES		UNIT	SHEET

GT Contact CO.,LTD

NOTICE OF PROPRIETARY PROPERTY:
 THE INFORMATION CONTAINED HEREIN IS THE PROPRIETARY PROPERTY OF GT Contact CO.,LTD THE POSSESSOR AGREES TO THE FOLLOWING:
 (a) TO MAINTAIN THIS DOCUMENT IN CONFIDENCE
 (b) NOT TO REPRODUCE OR COPY IT
 (c) NOT TO REVEAL OR PUBLISH IT IN WHOLE OR PART
 (d) ALL RIGHTS RESERVED