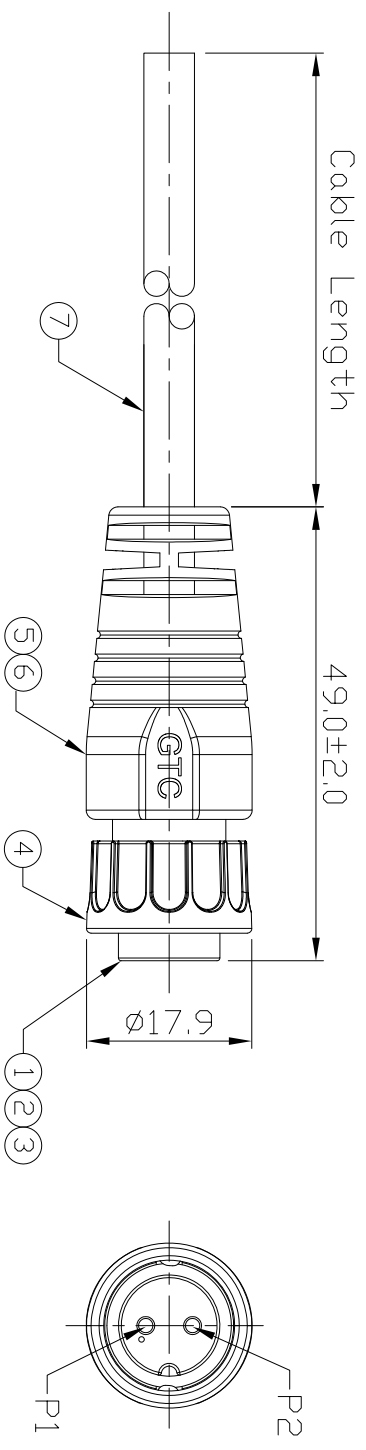


Notes: (Unless Otherwise Specified)
 1. Waterproof Rate: IP67.
 2. RoHS Compliant.

REV	ECN#	DESCRIPTION OF REVISION	DRAW BY DATE	CHECK BY DATE	APPROVE BY DATE
A0	ECN-140507	Mass Production	Hank 05/22/14	Lucas 05/22/14	Roy 05/22/14

GTC
 DOC.CENTER:ISSUE
 MAY.23.2014
 ONLY FOR
 RELEASE



Wiring Diagram

1	Black
2	Brown
	Drain

Item	Part Name	Material / Finish	Qty
7	Cable	UL2464 24AWG*2C+D+Al/MY DD=4.0mm, Color: Black	1
6	Over Mold	PVC Color: Black	1
5	Inner Mold	Thermoplastic Color: White or Black	1
4	Lock Nut	Thermoplastic Color: Black	1
3	D-Ring	Silicone Color: Red	1
2	Contacts	Copper Alloy Finish: Au Plated	2
1	Housing	Thermoplastic Color: Black	1

GT152224-02021-10	1000 mm	±500
GT152224-02021-09	900 mm	±450
GT152224-02021-08	800 mm	±400
GT152224-02021-07	700 mm	±350
GT152224-02021-06	600 mm	±300
GT152224-02021-05	500 mm	±250
GT152224-02021-04	400 mm	±200
GT152224-02021-03	300 mm	±150
GT152224-02021-02	200 mm	±100
GT152224-02021-01	1000 mm	±50
GT152224-02021-29	900 mm	±40
GT152224-02021-28	800 mm	±40
GT152224-02021-27	700 mm	±40
GT152224-02021-26	600 mm	±40
GT152224-02021-25	500 mm	±40
GT152224-02021-24	400 mm	±20
GT152224-02021-23	300 mm	±10
GT152224-02021-22	200 mm	±10
Part No.	Cable Length	Tol.

TITLE C2 5A 2P Cable End Female Lock

DD NOT SCALE DRAWING	SIZE	SCALE	DRAW / DATE	CHECK / DATE	APPROVE / DATE	TOLERANCES	UNIT	SHEET
	B	1:1	Karen 09/23/08	Robbie 09/23/08	Robbie 09/23/08	XX ± 0.5 XXX ± 0.2 XXXX ANGLES ± 1°	mm	1/1

DRAWING NUMBER GT152224-02021-XX
 REV. A0

GT Contact CD,LTID
 NOTICE OF PROPRIETARY PROPERTY
 THE INFORMATION CONTAINED HEREIN IS THE PROPRIETARY PROPERTY OF GT Contact CD,LTID THE POSSESSOR AGREES TO MAINTAIN THIS DOCUMENT IN CONFIDENCE AND NOT TO REPRODUCE, PUBLISH IT IN WHOLE OR PART (S) ALL RIGHTS RESERVED