

1

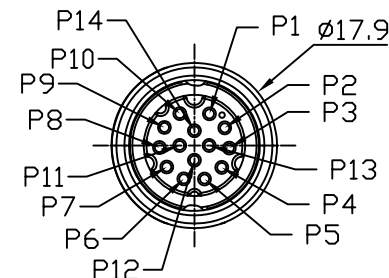
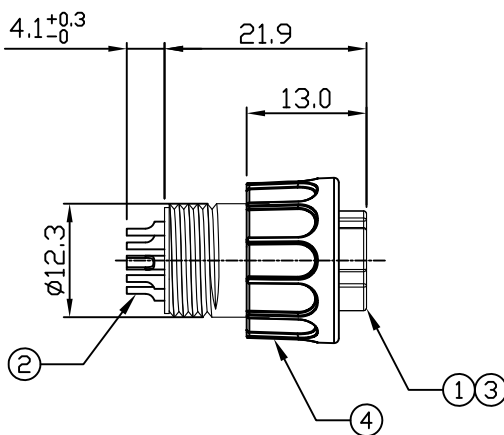
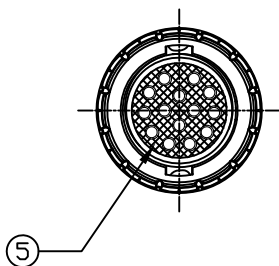
2

3

4

Notes: (Unless Otherwise Specified)
 1. Waterproof Rate: IP67.
 2. RoHS Compliant.

| REV | ECN# | DESCRIPTION OF REVISION | DRAW BY DATE | CHECK BY DATE | APPROVE BY DATE |
|-----|------|-------------------------|----------------|----------------|-----------------|
| 01 | | | Joyce 09/12/17 | Lucas 09/12/17 | Ray 09/12/17 |



| | | | |
|------|-----------|-----------------------------------|------|
| 5 | Glue | Epoxy Color: Black | |
| 4 | Lock Nut | Thermoplastic Color: Black | 1 |
| 3 | O-Ring | Silicone Color: Red | 1 |
| 2 | Contacts | Copper Alloy Finish: Au Plated | 14 |
| 1 | Housing | Thermoplastic Color: Black | 1 |
| Item | Part Name | Material / Finish | Q'ty |



| TITLE | | | | | | DRAWING NUMBER | | | REV. |
|--|------|-------|----------------|----------------|----------------|-------------------------|-----------------------------|------|-------|
| C2 2A 14P Cable End Female Lock Solder Without Molding | | | | | | GT152224-01140 | | | 01 |
| | B | N/A | Joyce 09/12/17 | Lucas 09/12/17 | Ray 09/12/17 | X.X ± 0.5 X.XX ± 0.2 | X.XXX ± 0.05 ANGLES ± 1° | mm | 1/1 |
| THIRD ANGLE PROJECTION | SIZE | SCALE | DRAW / DATE | CHECK / DATE | APPROVE / DATE | TOLERANCES | | UNIT | SHEET |

GT Contact CO.,LTD

NOTICE OF PROPRIETARY PROPERTY:
 THE INFORMATION CONTAINED HEREIN IS THE PROPRIETARY PROPERTY OF GT CONTACT CO.,LTD THE POSSESSOR AGREES TO THE FOLLOWING:
 (a) TO MAINTAIN THIS DOCUMENT IN CONFIDENCE
 (b) NOT TO REPRODUCE OR COPY IT
 (c) NOT TO REVEAL OR PUBLISH IT IN WHOLE OR PART
 (d) ALL RIGHTS RESERVED

1

2

3

4