

1

2

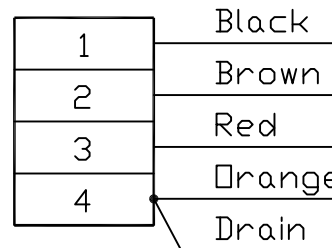
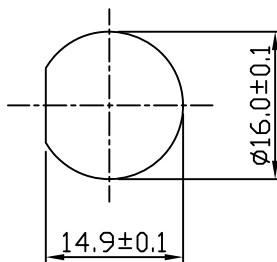
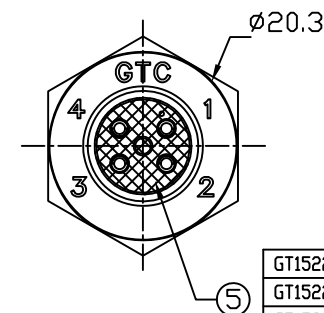
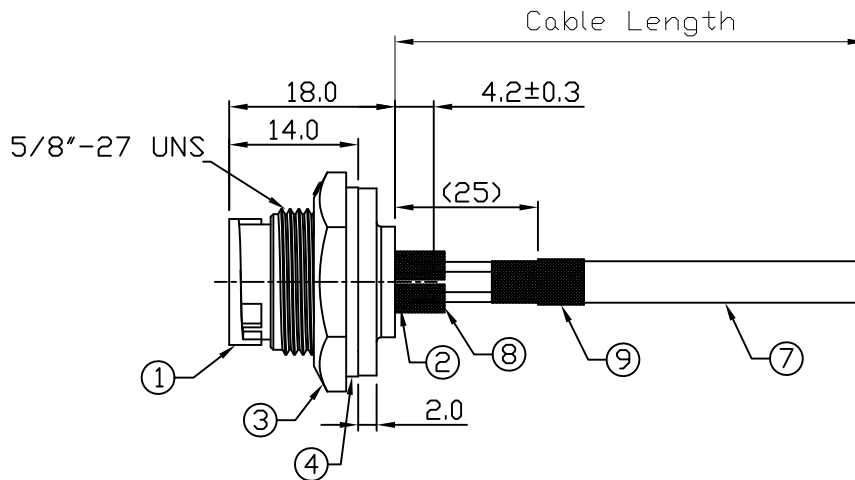
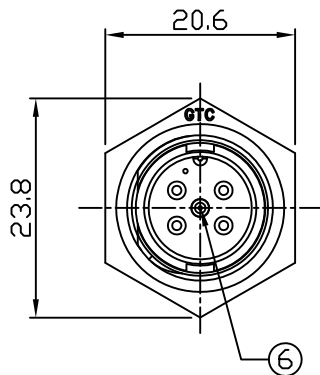
3

4

Notes: (Unless Otherwise Specified)

- 1. Waterproof Rate : IP67.
- 2. Recommend Panel Thickness: 0.8 to 4.0 mm.
- 3. Recommend Torque: 9~10 Kgf-cm.
- 4. Mating Cap P/N :GT1C522122.
- 5. RoHS Compliant.

REV	ECN#	DESCRIPTION OF REVISION	DRAW BY DATE	CHECK BY DATE	APPROVE BY DATE
01			Whitney 02/14/20	Lucas 02/14/20	Ray 02/14/20



Wiring Diagram

Recommend Panel Cut-Out

GT152210-02041-10	10000 mm	+500
GT152210-02041-09	9000 mm	+450
GT152210-02041-08	8000 mm	+400
GT152210-02041-07	7000 mm	+150
GT152210-02041-06	6000 mm	+150
GT152210-02041-05	5000 mm	+150
GT152210-02041-04	4000 mm	+150
GT152210-02041-03	3000 mm	+100
GT152210-02041-02	2000 mm	+100
GT152210-02041-01	1000 mm	+50
GT152210-02041-Z9	900 mm	+50
GT152210-02041-Z8	800 mm	+50
GT152210-02041-Z7	700 mm	+50
GT152210-02041-Z6	600 mm	+50
GT152210-02041-Z5	500 mm	+50
GT152210-02041-Z4	400 mm	+50
GT152210-02041-Z3	300 mm	+25
GT152210-02041-Z2	200 mm	+25
Part No.	Cable Length	Tol.

9	Shrink Tube	L=20mm Color: Black	1
8	Shrink Tube	L=10mm Color: Black	4
7	Cable	UL2464 24AWG*4C+Al/My+D (UV) OD=4.5mm, Color: Black	1
6	Gland Pin	Thermoplastic Color: Black	1
5	Glue	Epoxy Color: Black	
4	Gasket	Silicone Color: Black	1
3	Hex Nut	Thermoplastic Color: Black	1
2	Contacts	Copper Alloy Finish: Au Plated	4
1	Housing	Thermoplastic Color: Black	1
Item	Part Name	Material / Finish	Qty

GT Contact CO.,LTD

NOTICE OF PROPRIETARY PROPERTY:
 THE INFORMATION CONTAINED HEREIN IS THE PROPRIETARY PROPERTY OF GT CONTACT CO.,LTD THE POSSESSOR AGREES TO THE FOLLOWING:
 (a) TO MAINTAIN THIS DOCUMENT IN CONFIDENCE
 (b) NOT TO REPRODUCE OR COPY IT
 (c) NOT TO REVEAL OR PUBLISH IT IN WHOLE OR PART
 (d) ALL RIGHTS RESERVED

TITLE						DRAWING NUMBER			REV.	
C2 5A 4P Panel Male Lock Solder With Cable						GT152210-02041-XX			01	
	B	1:1	Whitney 02/14/20	Lucas 02/14/20	Ray 02/14/20	X.X ± 0.5 X.XX ± 0.2	X.XXX ± 0.05 ANGLES ± 1°	mm	1/1	
THIRD ANGLE PROJECTION	SIZE	SCALE	DRAW / DATE	CHECK / DATE	APPROVE / DATE	TOLERANCES		UNIT	SHEET	

1

2

3

4