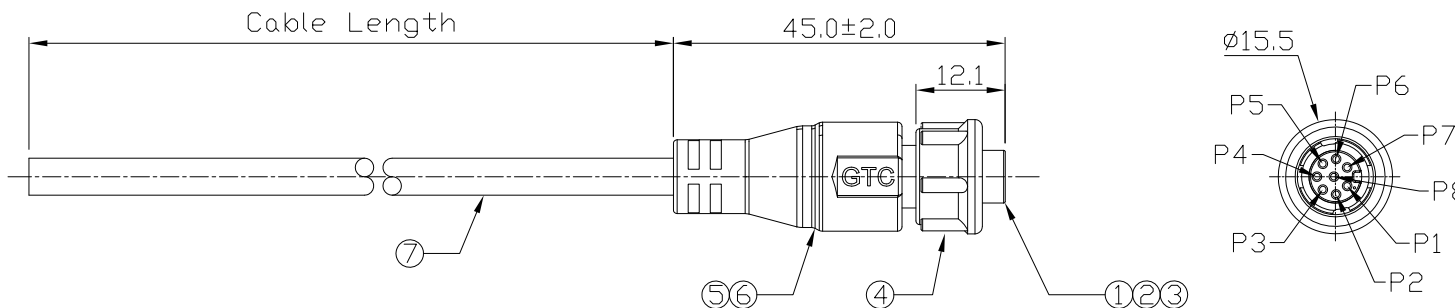


Notes: (Unless Otherwise Specified)
 1. Waterproof Rate: IP67.
 2. RoHS Compliant.

REV	ECN#	DESCRIPTION OF REVISION	DRAW BY DATE	CHECK BY DATE	APPROVE BY DATE
01			Lucas 11/14/19	Lucas 11/14/19	Ray 11/14/19

GTC
 DOC. CENTER ISSUE
 NOV. 14, 2019
 ONLY FOR
 RELEASE



GT151224-01083-10	10000 mm	+500
GT151224-01083-09	9000 mm	+450
GT151224-01083-08	8000 mm	+400
GT151224-01083-07	7000 mm	+150
GT151224-01083-06	6000 mm	+150
GT151224-01083-05	5000 mm	+150
GT151224-01083-04	4000 mm	+150
GT151224-01083-03	3000 mm	+100
GT151224-01083-02	2000 mm	+100
GT151224-01083-01	1000 mm	+50
GT151224-01083-Z9	900 mm	+50
GT151224-01083-Z8	800 mm	+50
GT151224-01083-Z7	700 mm	+50
GT151224-01083-Z6	600 mm	+50
GT151224-01083-Z5	500 mm	+50
GT151224-01083-Z4	400 mm	+50
GT151224-01083-Z3	300 mm	+25
GT151224-01083-Z2	200 mm	+25
GT151224-01083-Z1	100 mm	+25

1	Black
2	Brown
3	Orange
4	Yellow
5	Green
6	Blue
7	Violet
8	White

Wiring Diagram

Item	Part Name	Material / Finish	Q'ty
7	Cable	UL2464 24AWG*8C+D+Al/My, DD=5.5mm Color: Black	1
6	Over Mold	PVC Color: Black	1
5	Inner Mold	Thermoplastic Color: White Or Black	1
4	Lock Nut	Thermoplastic Color: Black	1
3	O-ring	Silicone Color: Red	1
2	Contacts	Copper Alloy Finish: Au Plated	8
1	Hosing	Thermoplastic Color: Black	1

Part No.	Cable Length	Tol.
----------	--------------	------

GT Contact CO.,LTD

NOTICE OF PROPRIETARY PROPERTY:
 THE INFORMATION CONTAINED HEREIN IS THE PROPRIETARY PROPERTY OF GT CONTACT CO.,LTD THE POSSESSOR AGREES TO THE FOLLOWING:
 (a) TO MAINTAIN THIS DOCUMENT IN CONFIDENCE
 (b) NOT TO REPRODUCE OR COPY IT
 (c) NOT TO REVEAL OR PUBLISH IT IN WHOLE OR PART
 (d) ALL RIGHTS RESERVED

TITLE						DRAWING NUMBER			REV.	
C1 2A 8P Cable End Female Lock With Cable						GT151224-01083-XX			01	
THIRD ANGLE PROJECTION	SIZE	SCALE	DRAW / DATE	CHECK / DATE	APPROVE / DATE	TOLERANCES		UNIT	SHEET	
	B	1:1	Lucas 11/14/19	Lucas 11/14/19	Ray 11/14/19	X.X ± 0.5 X.XX ± 0.2	X.XXX ± 0.05 ANGLES ± 1°	mm	1/1	