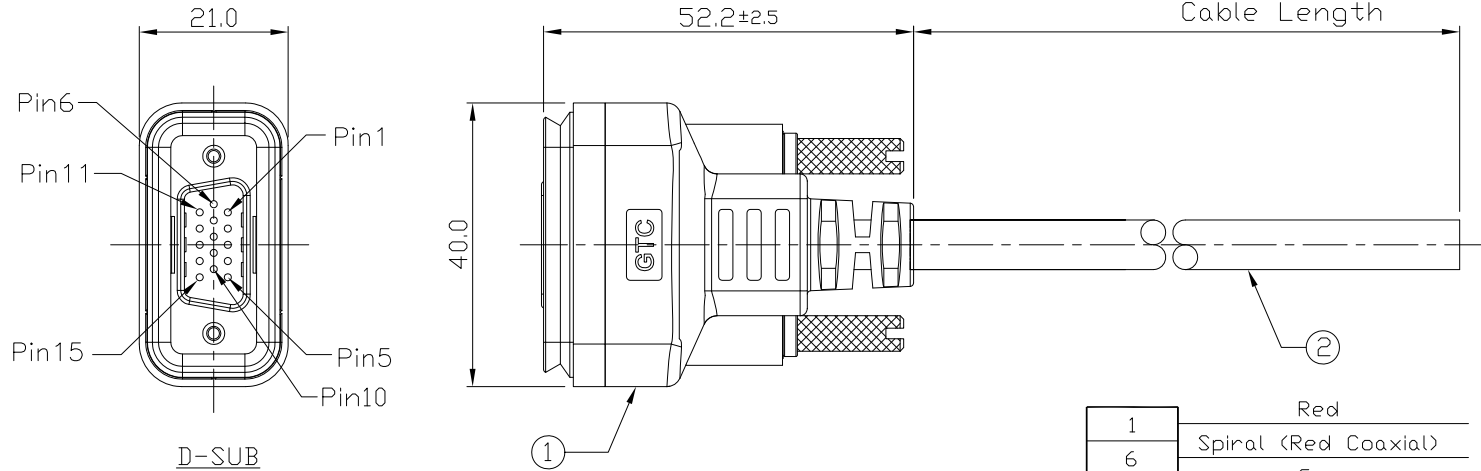


Notes: (Unless Otherwise Specified)  
 1. Waterproof Rate : IP67  
 2. RoHS Compliant

REV	ECN#	DESCRIPTION OF REVISION	DRAW BY DATE	CHECK BY DATE	APPROVE BY DATE
01			Lucas 01/31/20	Lucas 01/31/20	Ray 01/31/20



GTC  
 DOC.CENTER.ISSUE  
 JAN.31.2020  
 ONLY FOR  
 RELEASE

Pin No.	Color	Notes
1	Red	
6	Spiral (Red Coaxial)	
2	Green	
7	Spiral (Green Coaxial)	
3	Blue	
8	Spiral (Blue Coaxial)	
4	Black	
5	Green	
9	Gray	
10	Red	
13	Blue	
11	Orange	
12	Yellow	
14	Violet	
15	White	
Shell	Braid+Drain	

Part No.	Cable Length	Tol. Length
GT146330-02152-10	10000 mm	+500
GT146330-02152-09	9000 mm	+450
GT146330-02152-08	8000 mm	+400
GT146330-02152-07	7000 mm	+150
GT146330-02152-06	6000 mm	+150
GT146330-02152-05	5000 mm	+150
GT146330-02152-04	4000 mm	+150
GT146330-02152-03	3000 mm	+100
GT146330-02152-02	2000 mm	+100
GT146330-02152-01	1000 mm	+50
GT146330-02152-Z9	900 mm	+50
GT146330-02152-Z8	800 mm	+50
GT146330-02152-Z7	700 mm	+50
GT146330-02152-Z6	600 mm	+50
GT146330-02152-Z5	500 mm	+50
GT146330-02152-Z4	400 mm	+50
GT146330-02152-Z3	300 mm	+25
GT146330-02152-Z2	200 mm	+25
GT146330-02152-Z1	100 mm	+25

Item	Part Name	Material / Finish	Q'TY
2	Cable	UL20276 (3C*32AWG COAX)+(4.5PR*30AWG)+AEB85% OD=5.5mm, Color: Black	1
1	D-SUB HD 15P Cable End Male	GT Contact P/N: GT146330-0215X-XX	1

Wiring Diagram

TITLE						DRAWING NUMBER			REV.
D-SUB HD 15P Cable End Male With VGA Cable						GT146330-02152-XX			01
THIRD ANGLE PROJECTION	SIZE	SCALE	DRAW / DATE	CHECK / DATE	APPROVE / DATE	TOLERANCES	UNIT	SHEET	
	B	N/A	Lucas 01/31/20	Lucas 01/31/20	Ray 01/31/20	X.X ± 0.5 X.XX ± 0.2	mm	1/1	
						X.XXX ± 0.05 ANGLES ± 1°			

GT Contact CO.,LTD

NOTICE OF PROPRIETARY PROPERTY:  
 THE INFORMATION CONTAINED HEREIN IS THE PROPRIETARY PROPERTY OF GT Contact CO.,LTD THE POSSESSOR AGREES TO THE FOLLOWING:  
 (a) TO MAINTAIN THIS DOCUMENT IN CONFIDENCE  
 (b) NOT TO REPRODUCE OR COPY IT  
 (c) NOT TO REVEAL OR PUBLISH IT IN WHOLE OR PART  
 (d) ALL RIGHTS RESERVED