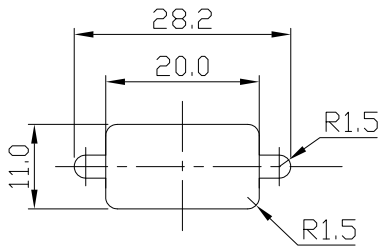
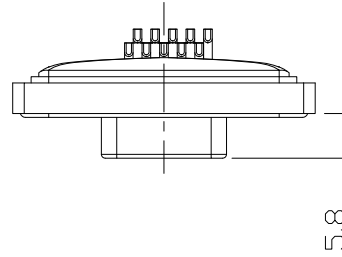


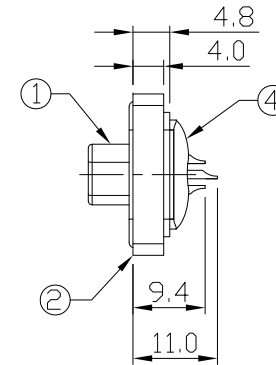
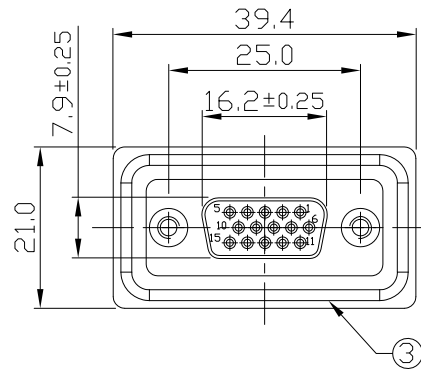
Notes: (Unless Otherwise Specified)

1. Waterproof Rate: IP68.
2. Recommend Panel Thickness: 0.8 to 2.0 mm.
3. Recommend Torque: 5~6 Kgf-cm.
4. Mating Cap P/N: GT1C4140X2.
5. RoHS Compliant.

REV	ECN#	DESCRIPTION OF REVISION	DRAW BY DATE	CHECK BY DATE	APPROVE BY DATE
02	ECN-230315	update D-SUB 9P connector	Jenny 03/23/23	Lucas 03/23/23	Ray 03/23/23



Recommend Panel Cut-Out



Item	Part Name	Material / Finish	Q'ty
4	Glue	Epoxy Color: Black	
3	O-Ring	Silicone Color: Red	1
2	Housing	Thermoplastic Color: Black	1
1	D-SUB HD 15P Female	Shell: Steel, Finish: Sn Plated	1
		Contacts: Copper Alloy, Finish: Au Plated Housing: Thermoplastic, Color: Black	



TITLE						DRAWING NUMBER			REV.
D-SUB HD 15P Panel Female Solder						GT146000-02150			02
THIRD ANGLE PROJECTION	SIZE	SCALE	DRAW / DATE	CHECK / DATE	APPROVE / DATE	TOLERANCES	UNIT	SHEET	
	B	1:1	Whitney 05/30/19	Lucas 05/30/19	Ray 05/30/19	X.X ± 0.5 X.XX ± 0.2	mm	1/1	
						X.XXX ± 0.05 ANGLES ± 1°			

GT Contact CO.,LTD

NOTICE OF PROPRIETARY PROPERTY:
 THE INFORMATION CONTAINED HEREIN IS THE PROPRIETARY PROPERTY OF GT Contact CO.,LTD THE POSSESSOR AGREES TO THE FOLLOWING:
 (i) TO MAINTAIN THIS DOCUMENT IN CONFIDENCE
 (ii) NOT TO REPRODUCE OR COPY IT
 (iii) NOT TO REVEAL OR PUBLISH IT IN WHOLE OR PART
 (iv) ALL RIGHTS RESERVED