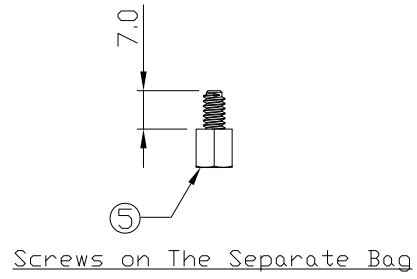
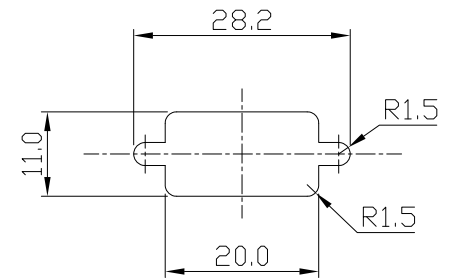
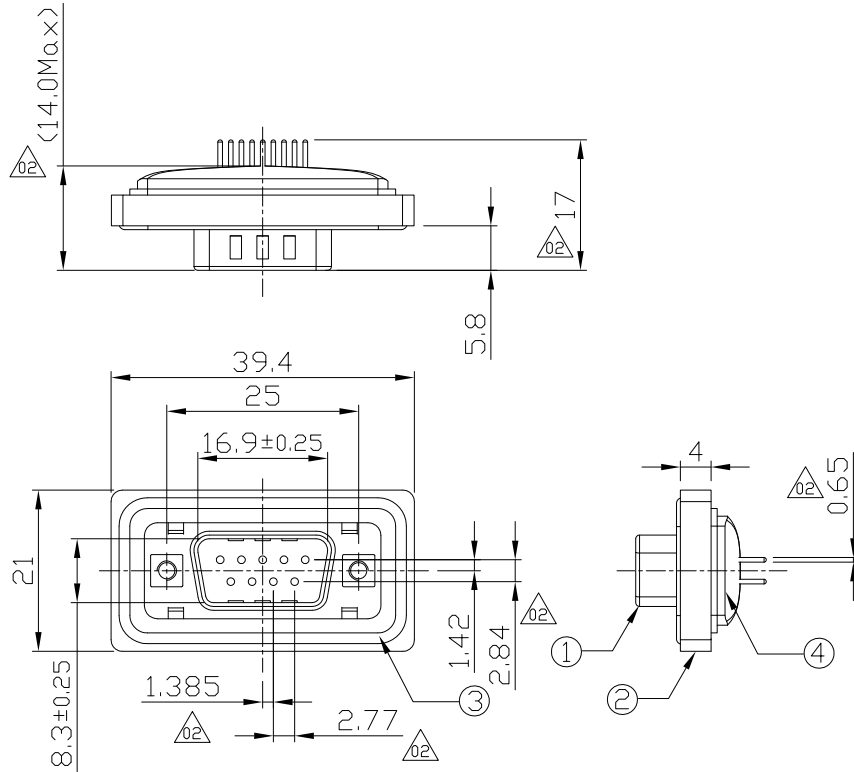
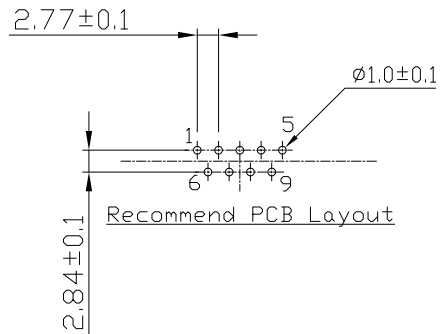


Notes: (Unless Otherwise Specified)

1. Waterproof Rate: IP68.
2. Recommend Panel Thickness: 2.0 to 3.5 mm.
3. Recommend Torque: 5.0~6.0 Kgf-cm.
4. Mating Cap P/N: GT1C414032.
5. RoHS Compliant

REV	ECN#	DESCRIPTION OF REVISION	DRAW BY DATE	CHECK BY DATE	APPROVE BY DATE
02	ECN-160421	Add dimension	Lucas 05/10/16	Lucas 05/10/16	Ray 05/10/16



Item	Part Name	Material / Finish	Q'ty
5	Machine Screw	#4-40, Copper Alloy Finish: Ni Plated	2
4	Glue	Epoxy Color: Black	
3	O-Ring	Silicone Color: Red	1
2	Housing	Thermoplastic Color: Black	1
1	D-SUB 9P Male	Shell: Cold Roll Steel, Finish: Ni Plated Contacts: Copper Alloy, Finish: Au Plated Housing: Thermoplastic, Color: Black	1

TITLE D-SUB 9P Panel Male Dip						DRAWING NUMBER GT141410-12090			REV. 02		
THIRD ANGLE PROJECTION	SIZE B	SCALE 1:1	DRAW / DATE Lucas 03/24/16	CHECK / DATE Lucas 03/24/16	APPROVE / DATE Ray 03/24/16	TOLERANCES X.X ± 0.5 X.XX ± 0.2		ANGLES X.XXX ± 0.05 ANGLES ± 1°		UNIT mm	SHEET 1/1

GT Contact CO.,LTD

NOTICE OF PROPRIETARY PROPERTY:
THE INFORMATION CONTAINED HEREIN IS THE PROPRIETARY PROPERTY OF GT Contact CO.,LTD THE POSSESSOR AGREES TO THE FOLLOWING:
(a) TO MAINTAIN THIS DOCUMENT IN CONFIDENCE
(b) NOT TO REPRODUCE OR COPY IT
(c) NOT TO REVEAL OR PUBLISH IT IN WHOLE OR PART
(d) ALL RIGHTS RESERVED