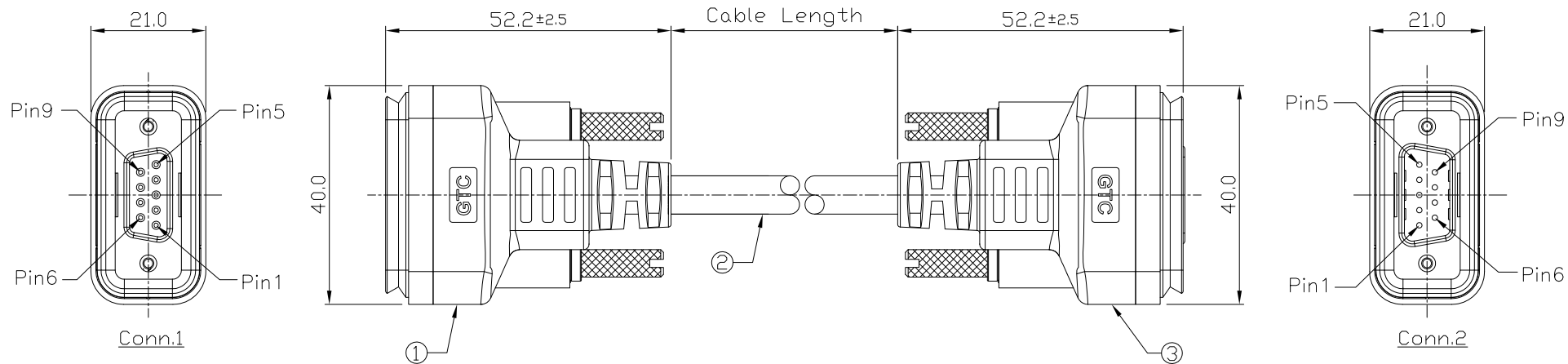


Notes: (Unless Otherwise Specified)

1. Waterproof Rate: IP67.
2. RoHS Compliant.

REV	ECN#	DESCRIPTION OF REVISION	DRAW BY DATE	CHECK BY DATE	APPROVE BY DATE
01			Joyce 06/26/17	Lucas 06/26/17	Ray 06/26/17



GTC
DOC.CENTER.ISSUE
JUN.27.2017
ONLY FOR
RELEASE

1	Brown	1
2	Blue	2
3	Orange	3
4	Green	4
5	Yellow	5
6	Gray	6
7	Violet	7
8	Red	8
9	Black	9
Shell	Drain	Shell

Conn.1 Conn.2

Wiring Diagram

GT1413D0-02091-10	10000 mm	+500
GT1413D0-02091-09	9000 mm	+450
GT1413D0-02091-08	8000 mm	+400
GT1413D0-02091-07	7000 mm	+150
GT1413D0-02091-06	6000 mm	+150
GT1413D0-02091-05	5000 mm	+150
GT1413D0-02091-04	4000 mm	+150
GT1413D0-02091-03	3000 mm	+100
GT1413D0-02091-02	2000 mm	+100
GT1413D0-02091-01	1000 mm	+50
GT1413D0-02091-Z9	900 mm	+50
GT1413D0-02091-Z8	800 mm	+50
GT1413D0-02091-Z7	700 mm	+50
GT1413D0-02091-Z6	600 mm	+50
GT1413D0-02091-Z5	500 mm	+50
GT1413D0-02091-Z4	400 mm	+50
GT1413D0-02091-Z3	300 mm	+25
Part No.	Cable Length	Tol.

Item	Part Name	Material / Finish	Q'ty
3	D-Sub 9P Cable End Male	GT Contact P/N: GT141330-02091-XX	1
2	Cable	UL2464 24AWG*9C+D+Al/My Color: Black, OD=6.0mm	1
1	D-Sub 9P Cable End Female	GT Contact P/N: GT141320-02091-XX	1

TITLE						DRAWING NUMBER			REV.
D-Sub 9P Cable End Twin-head Male & Female						GT1413D0-02091-XX			01
	B	1:1	Joyce 06/26/17	Lucas 06/26/17	Ray 06/26/17	X.X ± 0.5 X.XX ± 0.2	X.XXX ± 0.05 ANGLES ± 1°	mm	1/1
THIRD ANGLE PROJECTION	SIZE	SCALE	DRAW / DATE	CHECK / DATE	APPROVE / DATE	TOLERANCES		UNIT	SHEET

GT Contact CO.,LTD

NOTICE OF PROPRIETARY PROPERTY:
THE INFORMATION CONTAINED HEREIN IS THE PROPRIETARY PROPERTY OF GT Contact CO.,LTD THE POSSESSOR AGREES TO THE FOLLOWING:
(a) TO MAINTAIN THIS DOCUMENT IN CONFIDENCE
(b) NOT TO REPRODUCE OR COPY IT
(c) NOT TO REVEAL OR PUBLISH IT IN WHOLE OR PART
(d) ALL RIGHTS RESERVED