

1

2

3

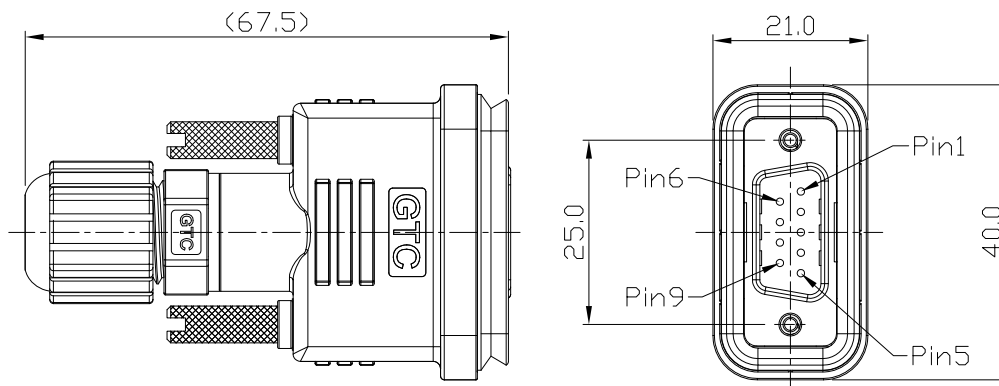
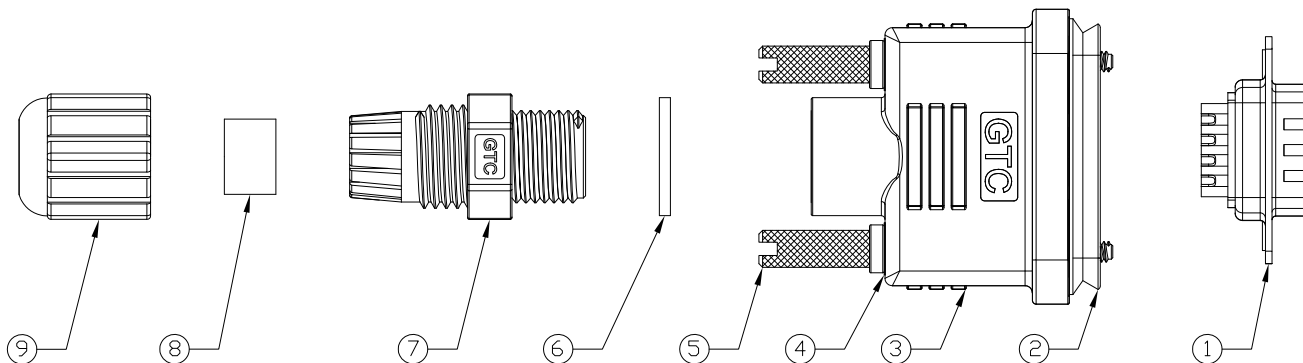
4

Notes: (Unless Otherwise Specified)

- 1. Waterproof Rate: IP67.
- 2. Suitable Cable \varnothing = 4.0 mm to 8.0 mm
- 3. Recommend Cover Torque: 6.0 to 7.0 Kgf-cm.
- 4. Recommend Gland Nut Torque: 9.0 to 10.0 Kgf-cm.
- 5. RoHS Compliance.

REV	ECN#	DESCRIPTION OF REVISION	DRAW BY DATE	CHECK BY DATE	APPROVE BY DATE
A0		Mass Production	Vicky 07/25/11	Lucas 07/25/11	Ray 07/25/11

GTC
DOC.CENTER.ISSUE
JUL.25.2011
ONLY FOR
RELEASE



9	Gland Nut	Thermal Plastic Color: Black	1
8	Gland	Silicone Color: Black	1
7	Cover	Thermal Plastic Color: Black	1
6	Gasket	EPDM Color: Black	1
5	Screw	Cutting Iron Finish: Ni Plated	2
4	Gasket	EPDM Color: Black	2
3	Housing	Thermal Plastic Color: Black	1
2	Seal	EPDM Color: Black	1
1	D-SUB 9P Male	Housing: Thermal Plastic, Color: Black Contacts: Copper Alloy, Finish: Au Plated Shell: SPCC, Finish: Ni Plated	1
Item	Part Name	Material / Finish	Q'ty

TITLE						DRAWING NUMBER			REV.	
D-SUB 5A 9P Field Installable Cable End Male Solder						GT141350-02090			A0	
	B	1:1	Edwin 01/07/10	Ray 01/07/10	Ray 01/07/10	X.X X.XX	± 0.5 ± 0.2	X.XXX ANGLES	± 0.05 $\pm 1^\circ$	mm 1/1
THIRD ANGLE PROJECTION	SIZE	SCALE	DRAW / DATE	CHECK / DATE	APPROVE / DATE	TOLERANCES			UNIT	SHEET

GT Contact CO.,LTD

NOTICE OF PROPRIETARY PROPERTY:

THE INFORMATION CONTAINED HEREIN IS THE PROPRIETARY PROPERTY OF GT Contact CO.,LTD THE POSSESSOR AGREES TO THE FOLLOWING:

- (i) TO MAINTAIN THIS DOCUMENT IN CONFIDENCE
- (ii) NOT TO REPRODUCE OR COPY IT
- (iii) NOT TO REVEAL OR PUBLISH IT IN WHOLE OR PART
- (iv) ALL RIGHTS RESERVED

1

2

3

4