

1

2

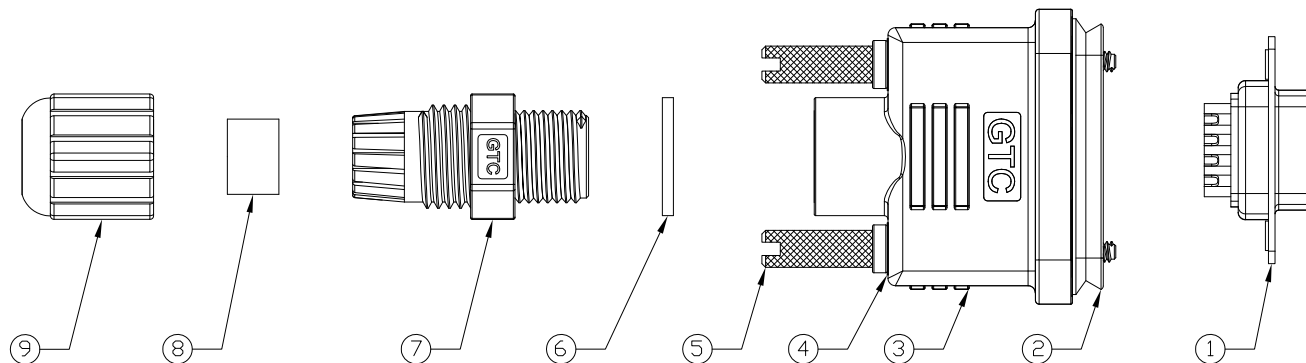
3

4

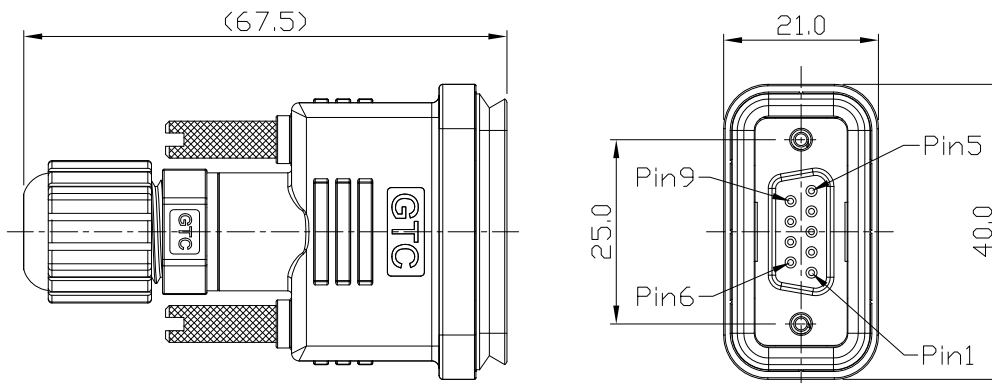
Notes: (Unless Otherwise Specified)

1. Waterproof Rate: IP67.
2. Suitable Cable \varnothing = 4.0 mm to 8.0 mm
3. Recommend Cover Torque: 6.0 to 7.0 Kgf-cm.
4. Recommend Gland Nut Torque: 9.0 to 10.0 Kgf-cm.
5. RoHS Compliance.

REV	ECN#	DESCRIPTION OF REVISION	DRAW BY DATE	CHECK BY DATE	APPROVE BY DATE
A0		Mass Production	Vicky 07/25/11	Lucas 07/25/11	Ray 07/25/11



9	Gland Nut	Thermal Plastic Color: Black	1
8	Gland	Silicone Color: Black	1
7	Cover	Thermal Plastic Color: Black	1
6	Gasket	EPDM Color: Black	1
5	Screw	Cutting Iron Finish: Ni Plated	2
4	Gasket	EPDM Color: Black	2
3	Housing	Thermal Plastic Color: Black	1
2	Seal	EPDM Color: Black	1
1	D-SUB 9P Female	Housing: Thermal Plastic, Color: Black Contacts: Copper Alloy, Finish: Au Plated Shell: SPCC, Finish: Ni Plated	1
Item	Part Name	Material / Finish	Q'ty



GTC
DOC.CENTER.ISSUE
JUL.25.2011
ONLY FOR
RELEASE

GT Contact CO.,LTD

NOTICE OF PROPRIETARY PROPERTY:

THE INFORMATION CONTAINED HEREIN IS THE PROPRIETARY PROPERTY OF GT Contact CO.,LTD THE POSSESSOR AGREES TO THE FOLLOWING:
 (A) TO MAINTAIN THIS DOCUMENT IN CONFIDENCE
 (B) NOT TO REPRODUCE OR COPY IT
 (C) NOT TO REVEAL OR PUBLISH IT IN WHOLE OR PART
 (D) ALL RIGHTS RESERVED

TITLE						DRAWING NUMBER			REV.	
D-SUB 5A 9P Field Installable Cable End Female Solder						GT141340-02090			A0	
	B	1:1	Edwin 01/07/10	Ray 01/07/10	Ray 01/07/10	X.X X.XX	± 0.5 ± 0.2	X.XXX ANGLES	± 0.05 $\pm 1^\circ$	mm 1/1
THIRD ANGLE PROJECTION	SIZE	SCALE	DRAW / DATE	CHECK / DATE	APPROVE / DATE	TOLERANCES			UNIT	SHEET

1

2

3

4