

1

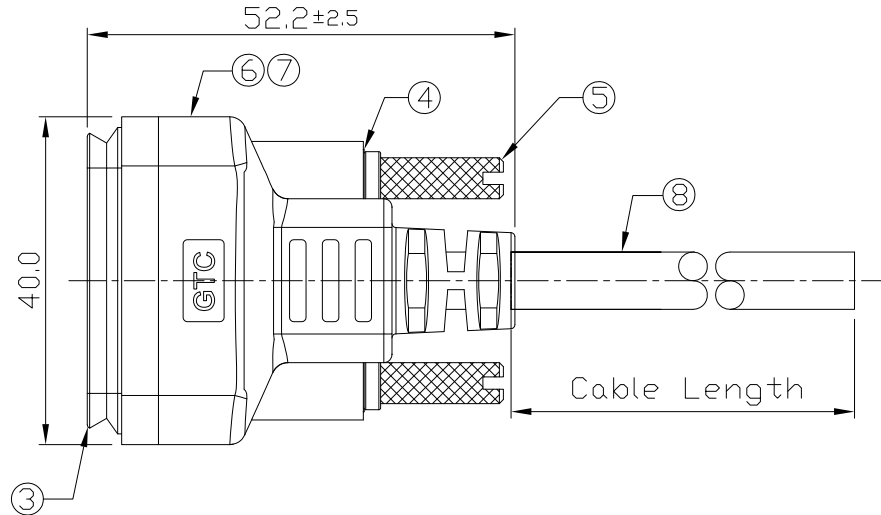
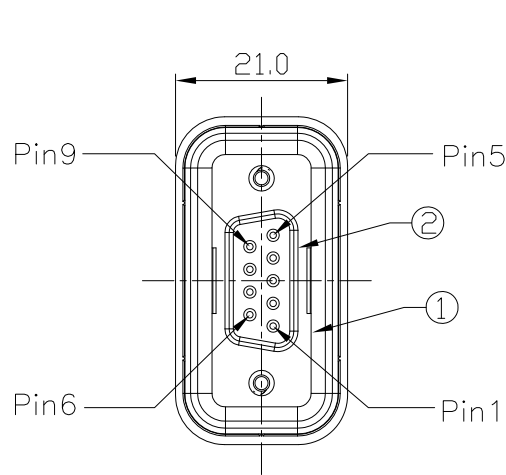
2

3

4

Notes: (Unless Otherwise Specified)  
 1. Waterproof Rate: IP67.  
 2. RoHS Compliant

REV	ECN#	DESCRIPTION OF REVISION	DRAW BY DATE	CHECK BY DATE	APPROVE BY DATE
A0		Mass Production	Vicky 08/11/10	Ray 08/11/10	Ray 08/11/10
A1	ECN-110103	Marked	Vicky 01/25/11	Ray 01/25/11	Ray 01/25/11



1	Brown
2	Blue
3	Orange
4	Green
5	Yellow
6	Gray
7	Violet
8	Red
9	Black
Shell	Drain

Wiring Diagram

GTC  
 DOC.CENTER.ISSUE  
 JAN.25.2010  
 ONLY FOR  
 RELEASE

Part No.	Cable Length	Tol.
GT141320-02091-10	10000 mm	±500
GT141320-02091-09	9000 mm	±450
GT141320-02091-08	8000 mm	±400
GT141320-02091-07	7000 mm	±150
GT141320-02091-06	6000 mm	±150
GT141320-02091-05	5000 mm	±150
GT141320-02091-04	4000 mm	±150
GT141320-02091-03	3000 mm	±150
GT141320-02091-02	2000 mm	±100
GT141320-02091-01	1000 mm	±50
GT141320-02091-Z9	900 mm	±40
GT141320-02091-Z8	800 mm	±40
GT141320-02091-Z7	700 mm	±40
GT141320-02091-Z6	600 mm	±40
GT141320-02091-Z5	500 mm	±40
GT141320-02091-Z4	400 mm	±20
GT141320-02091-Z3	300 mm	±20
GT141320-02091-Z2	200 mm	±10

Item	Part Name	Material / Finish	Q'ty
8	Cable	UL2464 24AWG*9C+Al/My+D Color: Black, OD=6.0mm	1
7	Over Mold	PVC Color: Black	1
6	Inner Mold	Thermoplastic Color: White	1
5	Machine Screw	Stainless Finish: Non	2
4	Gasket	EPDM Color: Black	2
3	Rubber Pad	EPDM Color: Black	1
2	D-SUB 5A 9P Female	Housing: Thermoplastic, Color: Black Contacts: Copper Alloy, Finish: Au Plated Shell: Cold Roll Steel, Finish: Ni Plated	1
1	Housing	Thermoplastic Color: Black	1

GT Contact CO.,LTD

NOTICE OF PROPRIETARY PROPERTY:  
 THE INFORMATION CONTAINED HEREIN IS THE PROPRIETARY PROPERTY OF GT Contact CO.,LTD THE POSSESSOR AGREES TO THE FOLLOWING:  
 (A) TO MAINTAIN THIS DOCUMENT IN CONFIDENCE  
 (B) NOT TO REPRODUCE OR COPY IT  
 (C) NOT TO REVEAL OR PUBLISH IT IN WHOLE OR PART  
 (D) ALL RIGHTS RESERVED

TITLE						DRAWING NUMBER			REV.	
D-Sub 5A 9P Cable End Female						GT141320-02091-XX			A1	
	B	1:1	Vicky 08/11/10	Ray 08/11/10	Ray 08/11/10	X.X ± 0.5 X.XX ± 0.2	X.XXX ± 0.05 ANGLES ± 1°	mm	1/1	
THIRD ANGLE PROJECTION	SIZE	SCALE	DRAW / DATE	CHECK / DATE	APPROVE / DATE	TOLERANCES		UNIT	SHEET	

1

2

3

4