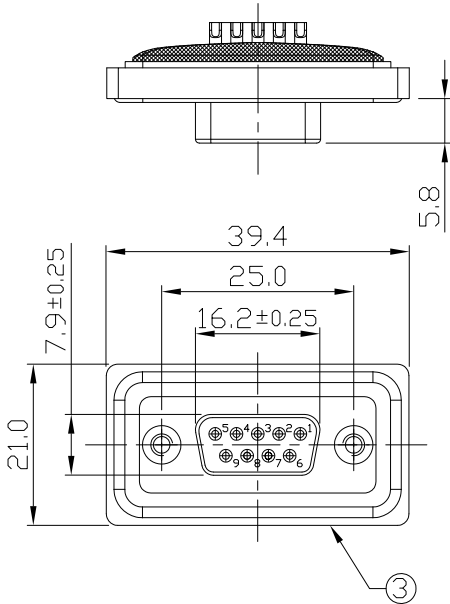
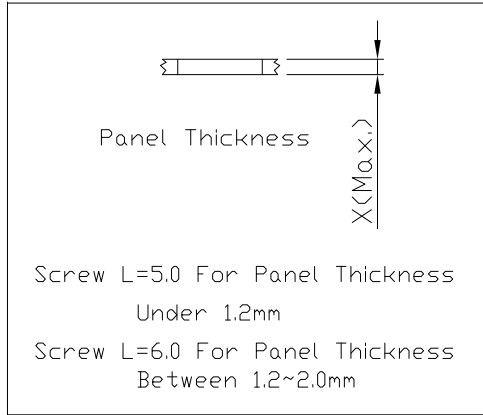


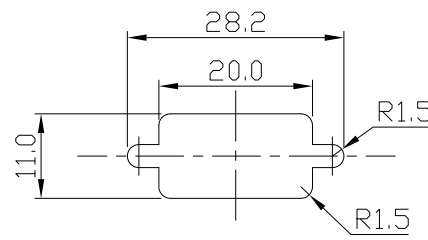
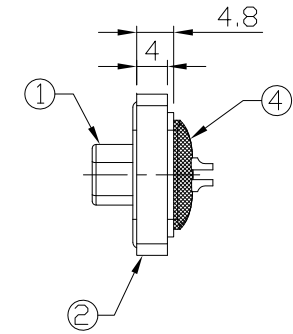
Notes: (Unless Otherwise Specified)

1. Waterproof Rate: IP68.
2. Recommend Panel Thickness: 0.8 to 2.0 mm.
3. Recommend Torque: 5~6 Kgf-cm.
4. Mating Cap P/N: GT1C4140X2.
5. RoHS & REACH Compliant.

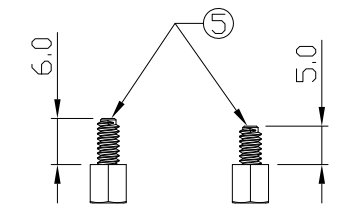
REV	ECN#	DESCRIPTION OF REVISION	DRAW BY DATE	CHECK BY DATE	APPROVE BY DATE
A3	ECN-230309	update D-SUB 9P connector	Jenny 03/10/23	Lucas 03/10/23	Ray 03/10/23



GTC  
DOC.CENTER.ISSUE  
MAR.13.2023  
ONLY FOR  
RELEASE



Recommend Panel Cut-Out



Screws on The Separate Bag

Item	Part Name	Material / Finish	Q'ty
5	Machine Screw	#4-40, Copper Alloy Finish: Ni Plated	4
4	Glue	Epoxy Color: Black	1
3	O-Ring	Silicone Color: Red	1
2	Housing	Thermoplastic Color: Black	1
1	D-SUB 9P Female	Shell: Steel, Finish: Sn Plated Contacts: Copper Alloy, Finish: Au Plated Housing: Thermoplastic, Color: Black	1

TITLE						DRAWING NUMBER			REV.	
D-SUB 9P Panel Female Solder						GT141300-02090			A3	
THIRD ANGLE PROJECTION	SIZE	SCALE	DRAW / DATE	CHECK / DATE	APPROVE / DATE	TOLERANCES		UNIT	SHEET	
	B	1:1	Karen 09/04/09	Ray 09/04/09	Ray 09/04/09	X.X ± 0.5 X.XX ± 0.2	X.XXX ± 0.05 ANGLES ± 1°	mm	1/1	

GT Contact CO.,LTD

NOTICE OF PROPRIETARY PROPERTY:

THE INFORMATION CONTAINED HEREIN IS THE PROPRIETARY PROPERTY OF GT Contact CO.,LTD THE POSSESSOR AGREES TO THE FOLLOWING:

(i) TO MAINTAIN THIS DOCUMENT IN CONFIDENCE

(ii) NOT TO REPRODUCE OR COPY IT

(iii) NOT TO REVEAL OR PUBLISH IT IN WHOLE OR PART

(iv) ALL RIGHTS RESERVED