

1

2

3

4

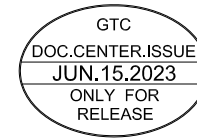
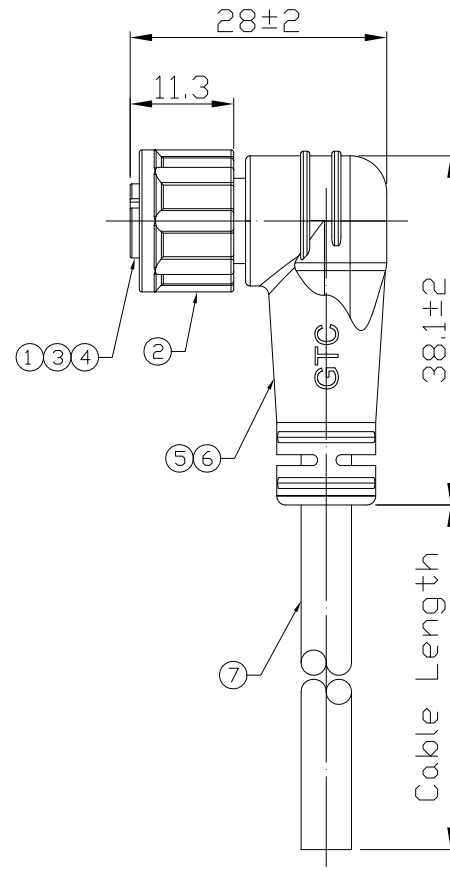
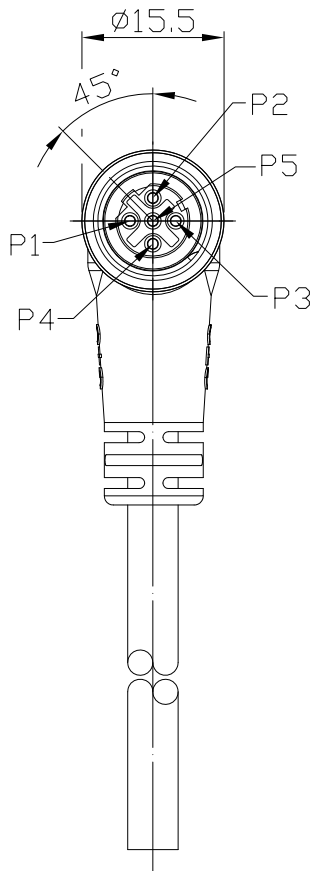
Notes: (Unless Otherwise Specified)

- 1. Waterproof Rate: IP68.
- 2. Durability 100 Cycles Min.
- 3. DWV: 1000 Vrms
- 4. Insulation Resistance: 100 MΩ Min.
- 5. RoHS Compliant.

REV	ECN#	DESCRIPTION OF REVISION	DRAW BY DATE	CHECK BY DATE	APPROVE BY DATE
01			Jenny 06/15/23	Hank 06/15/23	Lucas 06/15/23

1	Brown
2	Orange
3	Black
4	Yellow
5	Red

Wiring Diagram



GT134425-22051-10	10000 mm	+500
GT134425-22051-09	9000 mm	+450
GT134425-22051-08	8000 mm	+400
GT134425-22051-07	7000 mm	+150
GT134425-22051-06	6000 mm	+150
GT134425-22051-05	5000 mm	+150
GT134425-22051-04	4000 mm	+150
GT134425-22051-03	3000 mm	+100
GT134425-22051-02	2000 mm	+100
GT134424-22051-01	1000 mm	+50
GT134424-22051-Z9	900 mm	+50
GT134425-22051-Z8	800 mm	+50
GT134425-22051-Z7	700 mm	+50
GT134425-22051-Z6	600 mm	+50
GT134425-22051-Z5	500 mm	+50
GT134425-22051-Z4	400 mm	+50
GT134425-22051-Z3	300 mm	+25
GT134425-22051-Z2	200 mm	+25

Part No.	Cable Length	Tol.

7	Cable	UL2464 22AWG*5C+Talc Color: Black, DD=5.5mm	1
6	Over Mold	PVC Color: Black	1
5	Inner Mold	Thermoplastic Color: White Or Black	1
4	O-Ring	Silicone Color: Red	1
3	Contacts	Copper Alloy Finish: Au Plated	5
2	Screw Nut	Thermoplastic Color: Black	1
1	Housing	Thermoplastic Color: Black	1

Item	Part Name	Material / Finish	Qty
------	-----------	-------------------	-----

TITLE M12 D-Coding Plastic 4A 5P Cable End 90° Female DRAWING NUMBER GT134425-22051-XX REV. 01

THIRD ANGLE PROJECTION	SIZE	SCALE	DRAW / DATE	CHECK / DATE	APPROVE / DATE	TOLERANCES	UNIT	SHEET
	B	1:1	Jenny 06/15/23	Hank 06/15/23	Lucas 06/15/23	X.X ± 0.5 X.XX ± 0.2	mm	1/1

GT Contact CO.,LTD

NOTICE OF PROPRIETARY PROPERTY:
 THE INFORMATION CONTAINED HEREIN IS THE PROPRIETARY PROPERTY OF GT CONTACT CO.,LTD THE POSSESSOR AGREES TO THE FOLLOWING:
 (i) TO MAINTAIN THIS DOCUMENT IN CONFIDENCE
 (ii) NOT TO REPRODUCE OR COPY IT
 (iii) NOT TO REVEAL OR PUBLISH IT IN WHOLE OR PART
 (iv) ALL RIGHTS RESERVED

1

2

3

4