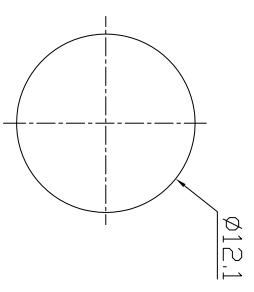
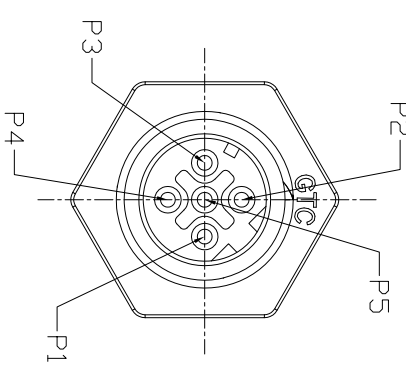
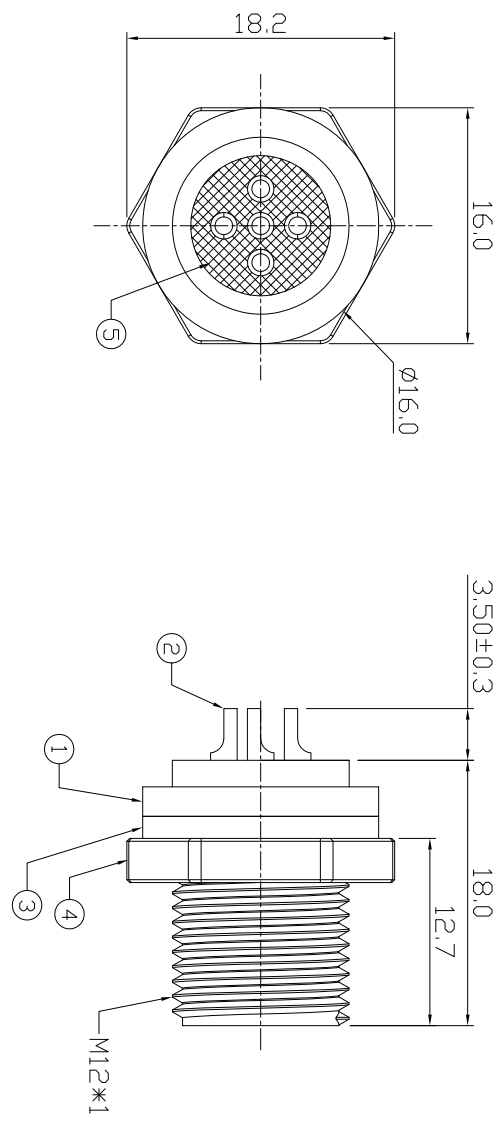


- Notes: (Unless Otherwise Specified)
1. WaterProof Rate : IP68
  2. Recommend Panel Thickness: 0.8 to 3.5mm
  3. Recommend Torque: 9~10 Kgf-cm
  4. RoHS Compliant.

REV	ECN#	DESCRIPTION OF REVISION	DRAW BY DATE	CHECK BY DATE	APPROVE BY DATE
A0			Jenny 12/09/22	Lucas 12/09/22	Roy 12/09/22



Recommend  
Panel Cut-Dwt

Item	Part Name	Material / Finish	Qty
5	Glue	Epoxy Color: Black	
4	Hex Nut	Thermoplastic Color: Black	1
3	Gasket	NBR Color: Black	1
2	Contacts	Copper Alloy Finish: Au Plated	5
1	Housing	Thermoplastic Color: Black	1

TITLE M12 D-Coding Plastic 4A 5P Panel Male Solder

DD NOT SCALE DRAWINGS	B	1:1	Jenny 12/09/22	Lucas 12/09/22	Roy 12/09/22	XXX ± 0.5	XXXX ANGLES ± 1°	mm	1/1
THIRD ANGLE PROJECTION	SIZE	SCALE	DRAW / DATE	CHECK / DATE	APPROVE / DATE	TOLERANCES		UNIT	SHEET

DRAWING NUMBER GT134410-02050 REV. A0

GTC  
DOC.CENTER/ISSUE  
DEC.12.2022  
ONLY FOR  
RELEASE

GT Contact CD,LT D

NOTICE OF PROPRIETARY PROPERTY:  
THE INFORMATION CONTAINED HEREIN IS THE PROPRIETARY PROPERTY OF GT Contact CO.,LTD THE POSSESSOR AGREES TO MAINTAIN THIS DOCUMENT IN CONFIDENCE AND NOT TO REPRODUCE OR PUBLISH IT IN WHOLE OR PART (W) ALL RIGHTS RESERVED