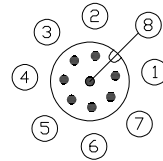


Notes: (Unless Otherwise Specified)

1. Waterproof Rate: IP68.
2. Durability: 100 Cycles Min.
3. DWV: 650 Vrms
4. Rated Voltage: 30V AC/DC.
5. Insulation Resistance: 100 MΩ Min.
6. RoHS Compliant.

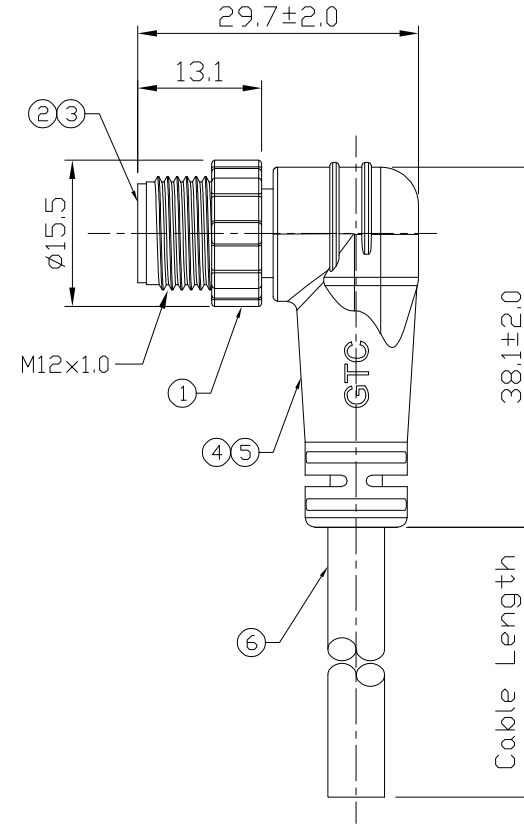
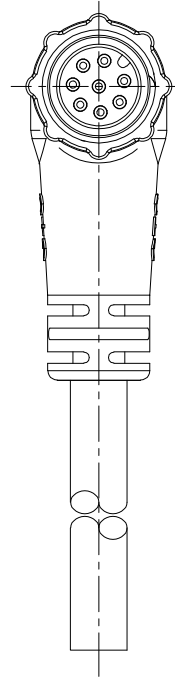
REV	ECN#	DESCRIPTION OF REVISION	DRAW BY DATE	CHECK BY DATE	APPROVE BY DATE
A0			Jenny 11/17/22	Lucas 11/17/22	Ray 11/17/22

1	Black
2	Brown
3	Orange
4	Yellow
5	Green
6	Blue
7	Violet
8	White



Pin Assignment

Wiring Diagram



Part No.	Cable Length	Tol.
GT134135-21081-10	10000 mm	+500
GT134135-21081-09	9000 mm	+450
GT134135-21081-08	8000 mm	+400
GT134135-21081-07	7000 mm	+150
GT134135-21081-06	6000 mm	+150
GT134135-21081-05	5000 mm	+150
GT134135-21081-04	4000 mm	+150
GT134135-21081-03	3000 mm	+100
GT134135-21081-02	2000 mm	+100
GT134135-21081-01	1000 mm	+50
GT134135-21081-Z9	900 mm	+50
GT134135-21081-Z8	800 mm	+50
GT134135-21081-Z7	700 mm	+50
GT134135-21081-Z6	600 mm	+50
GT134135-21081-Z5	500 mm	+50
GT134135-21081-Z4	400 mm	+50
GT134135-21081-Z3	300 mm	±25
GT134135-21081-Z2	200 mm	±25

Item	Part Name	Material / Finish	Q'ty
6	Cable	UL2464 24AWG*8C+Al/My+D (UV) OD=5.5±0.2mm, PVC, Color: Black	1
5	Over Mold	PVC Color: Black	1
4	Inner Mold	Thermoplastic Color: White or Black	1
3	Contacts	Copper Alloy Finish: Au Plated	8
2	Housing	Thermoplastic Color: Black	1
1	Screw Nut	Thermoplastic Color: Black	1

GT Contact CO.,LTD

NOTICE OF PROPRIETARY PROPERTY:

THE INFORMATION CONTAINED HEREIN IS THE PROPRIETARY PROPERTY OF GT Contact CO.,LTD THE POSSESSOR AGREES TO THE FOLLOWING:  
 (i) TO MAINTAIN THIS DOCUMENT IN CONFIDENCE  
 (ii) NOT TO REPRODUCE OR COPY IT  
 (iii) NOT TO REVEAL OR PUBLISH IT IN WHOLE OR PART  
 (iv) ALL RIGHTS RESERVED

TITLE						DRAWING NUMBER			REV.	
M12 A-Coding Plastic 2A 8P Cable End 90° Male						GT134135-21081-XX			A0	
 THIRD ANGLE PROJECTION		B	1:1	Jenny 11/17/22	Lucas 11/17/22	Ray 11/17/22	XX ± 0.5 X.XX ± 0.2	XXX ± 0.05 ANGLES ± 1°	mm	1/1
SIZE	SCALE	DRAW / DATE		CHECK / DATE		APPROVE / DATE		TOLERANCES	UNIT	SHEET