

1

2

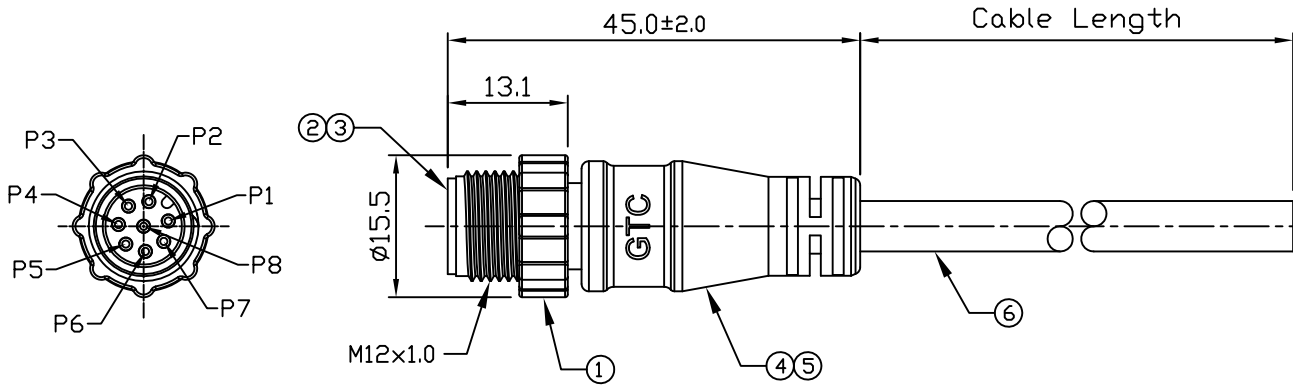
3

4

Notes: (Unless Otherwise Specified)

- 1. Waterproof Rate: IP68.
- 2. Durability: 100 Cycles Min.
- 3. DWV: 650 Vrms
- 4. Rated Voltage: 30V AC/DC
- 5. Insulation Resistance: 100 M Ω Min.
- 6. RoHS Compliant.

REV	ECN#	DESCRIPTION OF REVISION	DRAW BY DATE	CHECK BY DATE	APPROVE BY DATE
A0			Jenny 11/17/22	Lucas 11/17/22	Ray 11/17/22



Item	Part Name	Material / Finish	Qty
6	Cable	UL2464 24##8C+D+Al/My Color: Black, ϕ D=5.5mm	1
5	Over Mold	PVC Color: Black	1
4	Inner Mold	Thermoplastic Color: Black Or White	1
3	Contacts	Copper Alloy Finish: Au Plated	8
2	Housing	Thermoplastic Color: Black	1
1	Screw Nut	Thermoplastic Color: Black	1

Color	Pin No.
Brown	1
White	2
Orange	3
Yellow	4
Green	5
Blue	6
Violet	7
Black	8

Wiring Diagram

Part No.	Cable Length	Tol.
GT134134-21081-10	10000 mm	+500
GT134134-21081-09	9000 mm	+450
GT134134-21081-08	8000 mm	+400
GT134134-21081-07	7000 mm	+150
GT134134-21081-06	6000 mm	+150
GT134134-21081-05	5000 mm	+150
GT134134-21081-04	4000 mm	+150
GT134134-21081-03	3000 mm	+100
GT134134-21081-02	2000 mm	+100
GT134134-21081-01	1000 mm	+50
GT134134-21081-Z9	900 mm	+50
GT134134-21081-Z8	800 mm	+50
GT134134-21081-Z7	700 mm	+50
GT134134-21081-Z6	600 mm	+50
GT134134-21081-Z5	500 mm	+50
GT134134-21081-Z4	400 mm	+50
GT134134-21081-Z3	300 mm	+25
GT134134-21081-Z2	200 mm	+25

TITLE						DRAWING NUMBER			REV.	
M12 A-Coding Plastic 2A 8P Cable End Male						GT134134-21081-XX			A0	
	B	1:1	Jenny 11/17/22	Lucas 11/17/22	Ray 11/17/22	X.X ± 0.5	X.XXX ± 0.05	mm	1/1	
THIRD ANGLE PROJECTION	SIZE	SCALE	DRAW / DATE	CHECK / DATE	APPROVE / DATE	TOLERANCES		UNIT	SHEET	

GT Contact CO.,LTD

NOTICE OF PROPRIETARY PROPERTY:
 THE INFORMATION CONTAINED HEREIN IS THE PROPRIETARY PROPERTY OF GT Contact CO.,LTD THE POSSESSOR AGREES TO THE FOLLOWING:
 (1) TO MAINTAIN THIS DOCUMENT IN CONFIDENCE
 (2) NOT TO REPRODUCE OR COPY IT
 (3) NOT TO REVEAL OR PUBLISH IT IN WHOLE OR PART
 (4) ALL RIGHTS RESERVED

1

2

3

4